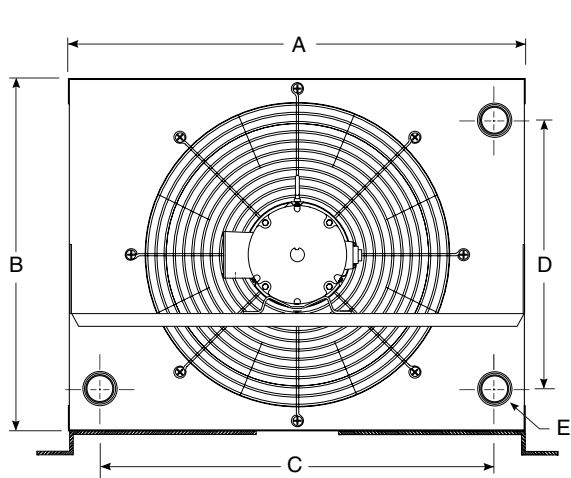
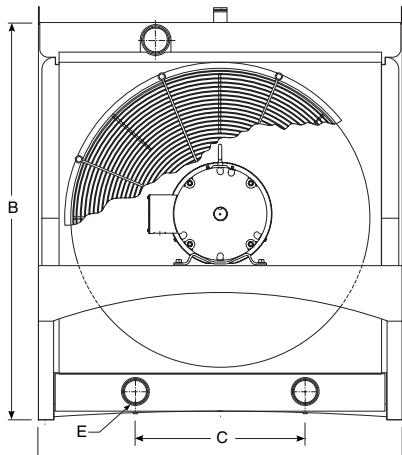
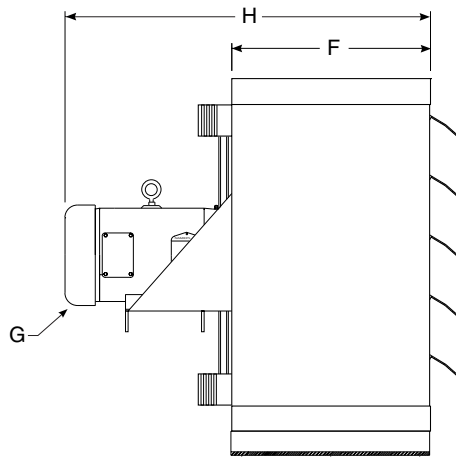


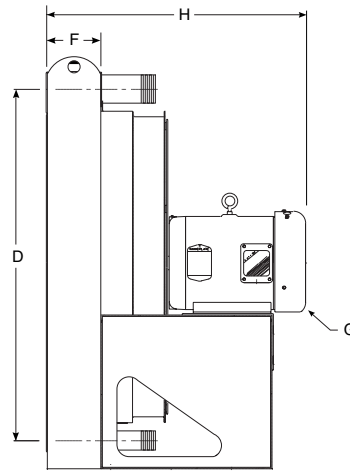
REPLACEMENT IDENTIFICATION *air / oil*



AC / AOCH Series



AOCS Series



- A Width _____
- B Height _____
- C Center to Center of Ports _____
- D Center to Center of Ports _____
- E Port Size _____
- F Depth of Core / Cabinet _____
- G Motor Type Electric Hydraulic
- H Total Depth _____
- I Fan Diameter _____
- J Motor Horse Power _____

If Available:
 Manufacturer _____
 Model Number _____

Comments
