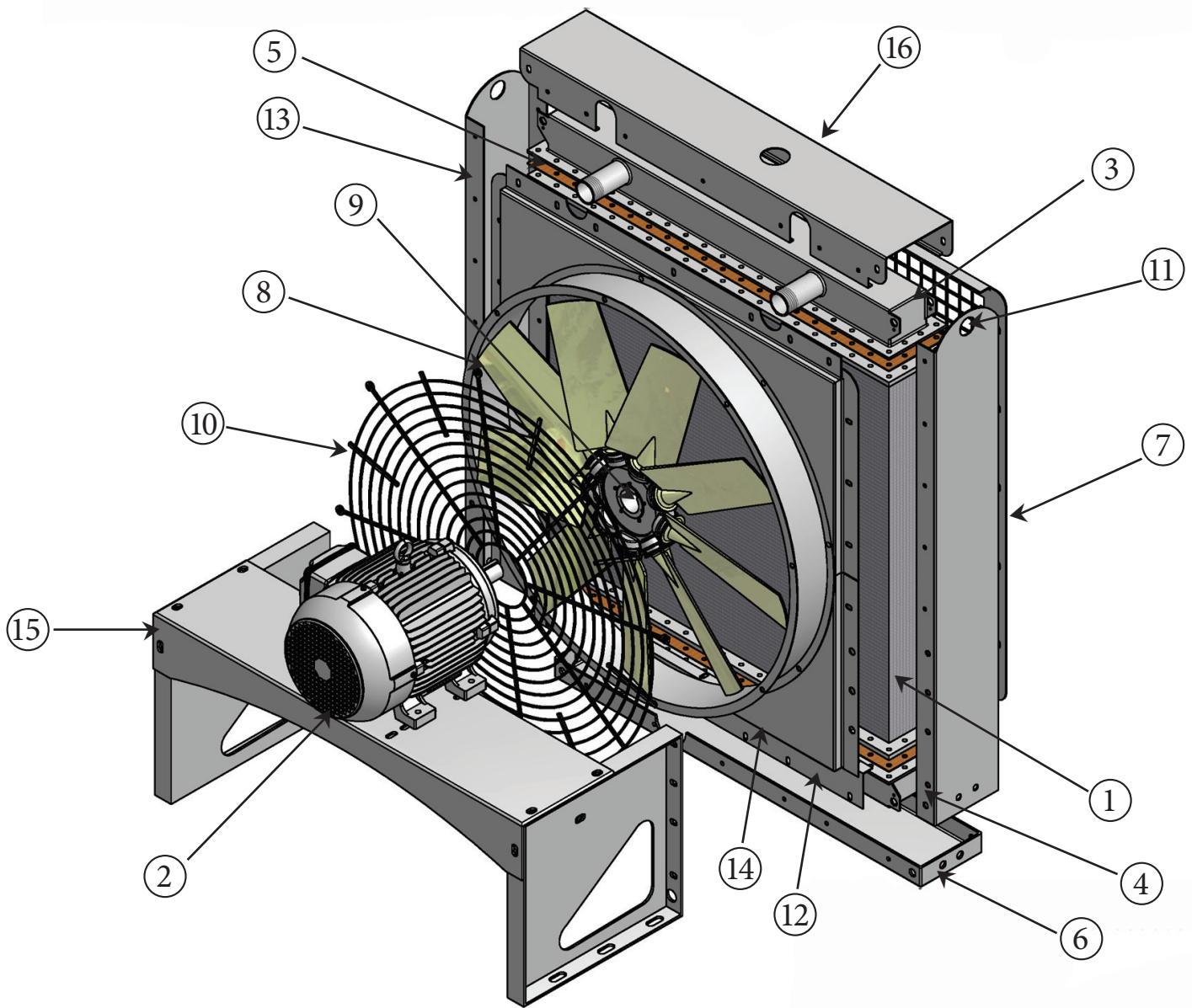


# AOCS-453 Parts List



| Description   | Part#          | Price | Stock        | Description                 | Part#          | Price | Stock        |
|---|----------------|-------|--------------|-----------------------------|----------------|-------|--------------|
| 1. Core.....  | 110-3001.....  |       | ..... Stock: | 3. Top Tank(2 PIPE).....    | 110-3016.....  |       | ..... Stock: |
| 2. Motor .....  | 306-1036 ..... |       | ..... Stock: | 4. Bottom Tank(1 PIPE)..... | 110-3017.....  |       | ..... Stock: |
| 3 HP, Three Phase, (60/50) HZ, (230/460-190/380 Volt, |                |       |              | 5. Gasket Kit.....          | 199-0003 ..... |       | ..... Stock: |
| 1160/980 RPM, 213T Frame, TEFC                        |                |       |              | 6. Bottom Panel.....        | 110-3004.....  |       | ..... Stock: |
| 2. Motor .....  | 306-1060 ..... |       | ..... Stock: | 7. Screen .....             | 110-3005.....  |       | ..... Stock: |
| 3 HP, Three Phase, 60 HZ, 575 Volt,                   |                |       |              | 8. Fan .....                | 307-0064 ..... |       | ..... Stock: |
| 1160 RPM, 213T Frame, TEFC                            |                |       |              | 9. Fan Bushing .....        | 312-1032 ..... |       | ..... Stock: |
| 2. Motor .....  | 306-2020 ..... |       | ..... Stock: | 10. Fan Guard .....         | 308-0015 ..... |       | ..... Stock: |
| 3 HP, Three Phase, 60 HZ, (230/460) Volt, 1160 RPM,   |                |       |              | 11. Side Panel(RIGHT)..     | 110-3018.....  |       | ..... Stock: |
| 213T Frame, Explosion Proof Motor                     |                |       |              | 12. Comp Panel.....         | 110-3019.....  |       | ..... Stock: |
|   |                |       |              | 13. Side Panel(LEFT) ...    | 110-3002.....  |       | ..... Stock: |
|   |                |       |              | 14. Back Panel .....        | 110-3007.....  |       | ..... Stock: |
|   |                |       |              | 15. Motor Bracket.....      | 110-3012.....  |       | ..... Stock: |
|   |                |       |              | 16. Top Cover .....         | 110-3003.....  |       | ..... Stock: |