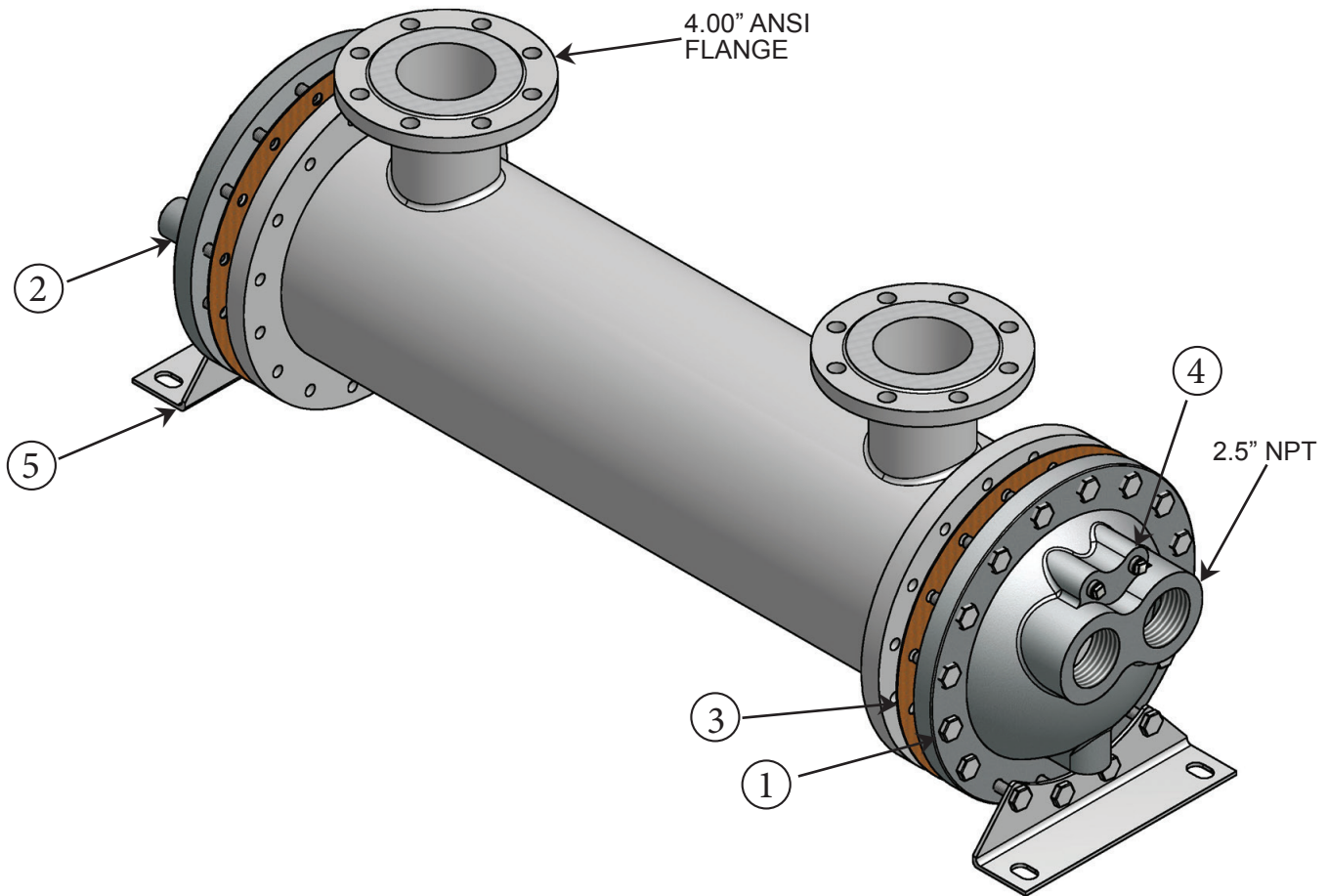


CS-2000-FP Parts List



| <u>Item</u> | <u>Description</u> | <u>Material</u> | <u>Part Number</u> | <u>Price Each</u> | <u>Stock</u> |
|-------------|---------------------|--------------------------|--------------------|-------------------|--------------|
| 1. | End Bonnet / In-Out | Cast Iron | 208-0005 | | Yes |
| 2. | End Bonnet / Return | Cast Iron | 208-0006 | | Yes |
| 1. | End Bonnet / In-Out | Cast Bronze | 208-0010 | | Yes |
| 2. | End Bonnet / Return | Cast Bronze | 208-0011 | | Yes |
| 1. | End Bonnet / In-Out | Stainless Steel | 208-0025 | | Yes |
| 2. | End Bonnet / Return | Stainless Steel | 208-0027 | | Yes |
| 3. | Gasket / Front-Back | Hypalon (CORK COMPOSITE) | 302-1022 | | Yes |
| 3. | Gasket / Front-Back | High Temp.(DURLON 8500) | 302-1077 | | Yes |
| 4. | Foot Bracket | Steel | 208-0013 | | Yes |
| 5. | Zinc Anode | Brass Fitting, Zinc Rod | 301-0003 | | Yes |

