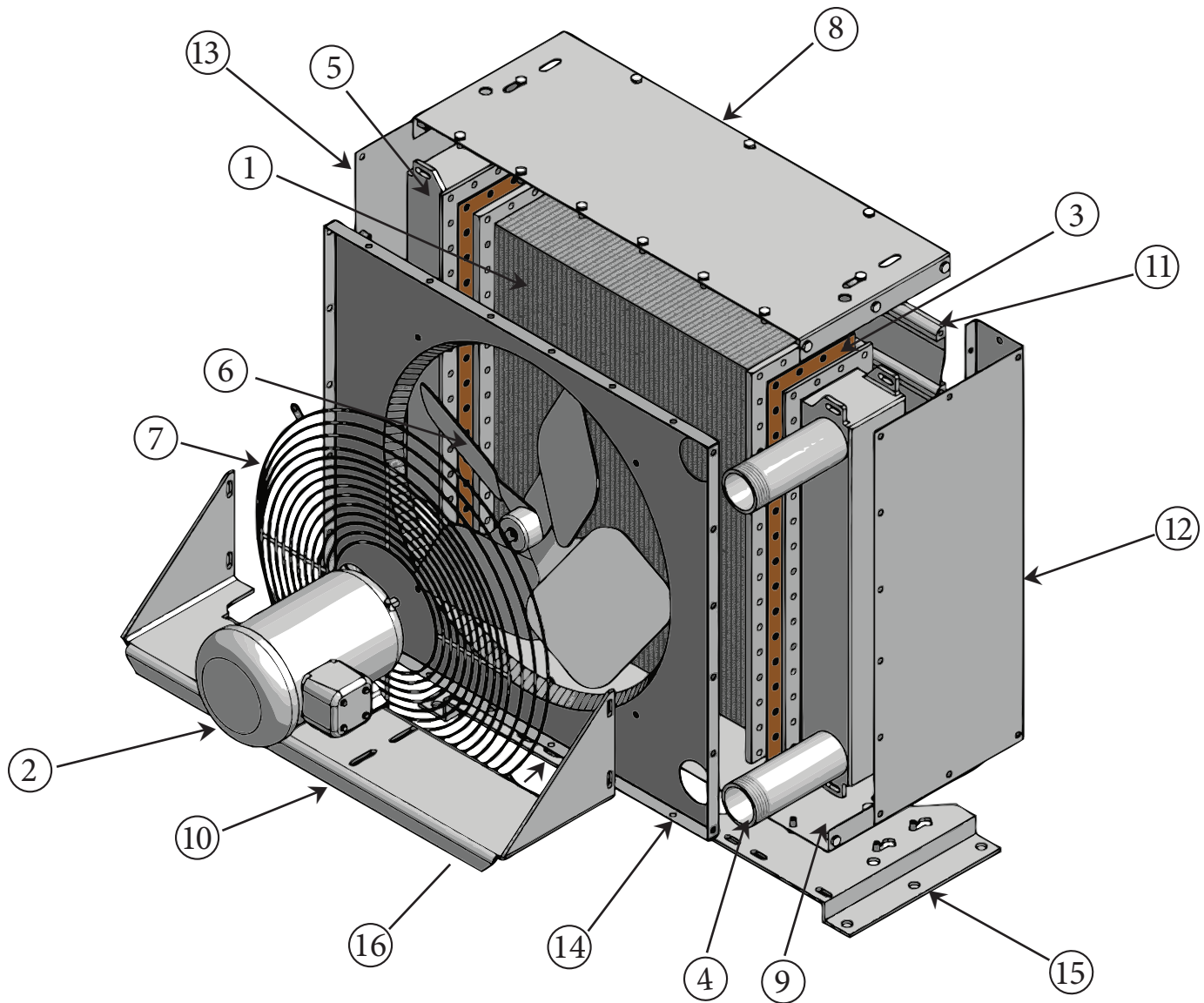


AOCH-25 Parts List



Description	Part#	Price	Stock	Description	Part#	Price	Stock
1. Core.....	105-2014		Stock:	3. Gasket Kit(EACH)	199-0013		Stock:
2. Motor	306-1014		Stock:	4. Right Tank(2 PIPE) ...	105-0047		Stock:
1 HP, Three Phase, (60/50) HZ, (208-230/460-190/380) Volt, 1725 RPM, 56 Frame, TEFC				5. Left Tank(1 PIPE)	105-0046		Stock:
2. Motor	306-1013		Stock:	6. Fan	307-0008		Stock:
1 HP, Single Phase, 60 HZ, (115/208-230) Volt, 1725 RPM, 56 Frame, TEFC				7. Fan Guard	308-0004		Stock:
2. Motor	306-1015		Stock:	8. Top Panel.....	105-0006		Stock:
1 HP, Three Phase, 60 HZ, 575 Volt, 1725 RPM, 56 Frame, TEFC				9. Bottom Panel.....	105-0006		Stock:
2. Motor	306-2010		Stock:	10. Motor Bracket	105-0005		Stock:
1 HP, Three Phase, 60 HZ, 230/460 Volt, 1725 RPM, 56 Frame, Explosion Proof Motor				11. Louver.....	105-0004		Stock:
2. Motor	306-2009		Stock:	12. Side Panel	105-0002		Stock:
1 HP, Single Phase, 60 HZ, 115/230 Volt, 1725 RPM, 56 Frame, Explosion Proof Motor				13. Side Panel	105-0002		Stock:
				14. Back Panel	105-0008		Stock:
				15. Foot Mtg(LEFT)	108-0043		Stock:
				16. Foot Mtg(RIGHT)....	108-0044		Stock: