



Air Cooled Liquid Cooler Application Request:

For AOCSH Series

Email form to: sales@aihti.com or engineering@aihti.com or fax to 434-757-1810

Contact Name _____ Telephone _____ Date _____

Company Name _____ Email _____

Address: _____ Fax _____

Hot Side

Cold Side

Fluid Type _____

Ambient Air _____

Density _____ lb/ft³

Altitude _____

Viscosity _____ cP

If available:

Thermal Conductivity _____ Btu/hr.ft.°F

Specific Heat _____ Btu/lb.°F

1. Flow Rate _____

1. Operating Pressure _____

2. Temperature In _____

2. Allowable Pressure Drop _____

3. Desired Temperature Out _____

ASME Code and Certified Yes No

4. Heat Load _____

To properly size the heat exchanger we need 3 of the 4 parameters on the Hot Side.

Cabinet Material:

Tubing Material:

Motor

Standard : Steel

Standard : Copper

60Hz: 230/460 Volt, 3 Phase

Options:

Galvanized Steel

Options:

Stainless Steel

115/230 Volt, 1 Phase

Stainless Steel

90/10 Copper Nickel

575 Volt, 3 Phase

Coating

Fins

50Hz 230/400 Volt, 3 Phase

Standard Enameled
Gray Paint

Standard Aluminum

110/220 Volt, 1 Phase

Options: Epoxy Paint

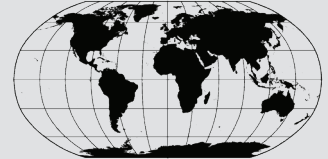
Options: Copper
Optional Coating: Heresite

Hydraulic Motor

Comment: _____

American Industrial Heat Transfer Inc.

Manufacturer of Quality Heat Exchangers



www.aihti.com

AOC SH SERIES



AIR COOLED

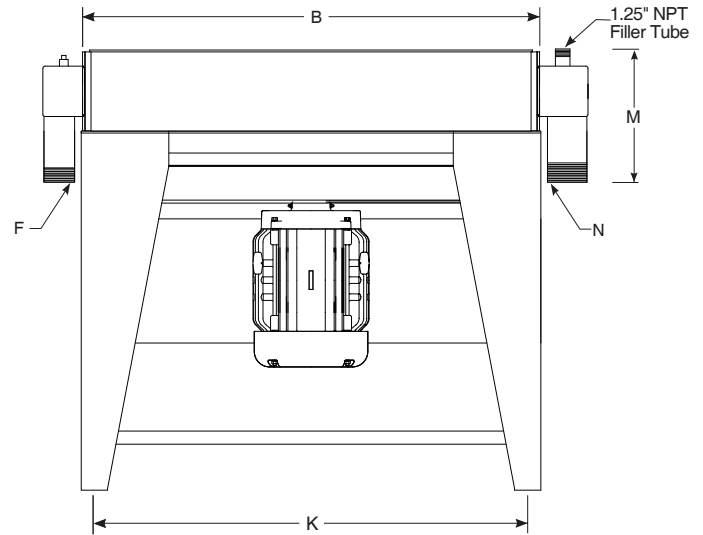
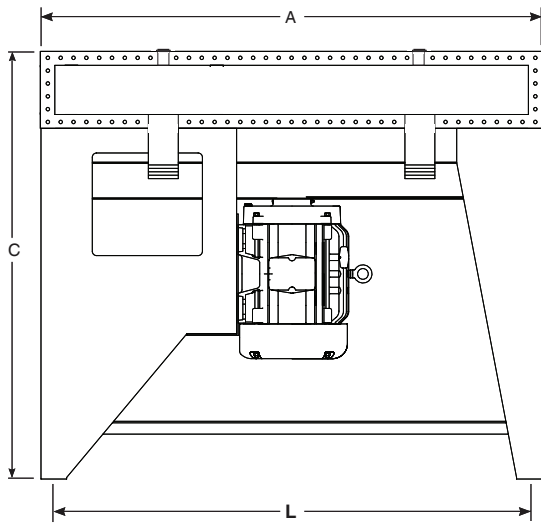
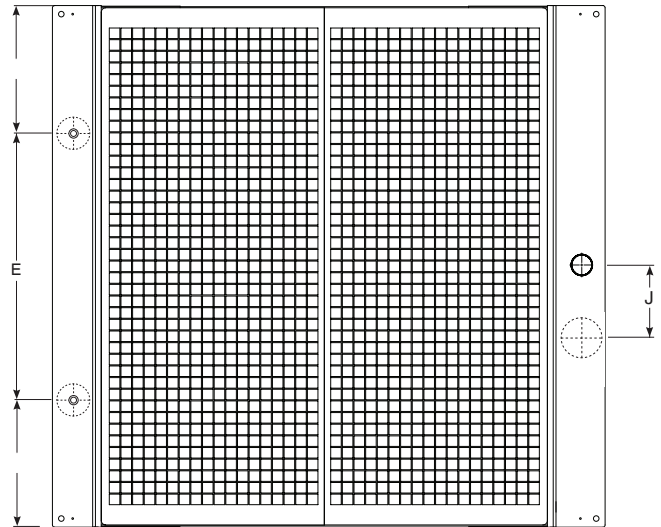
LIQUID COOLERS

- Severe duty construction with OSHA guard.
- Serviceable Core®.
- Thermal capacity to 1,400 hp (1,043 Kw).
- Operating temperature of 300°F at 200 PSI.
- Electric, hydraulic, or external drive.
- Optional: built-in bypass valve.
- Can be customized to fit any applications.
- Field changeable drive from electric to hydraulic.
- Cools: Fluid power systems, rock crushers, conveyors, shredders, lubrication equipment for paper machinery, gear drives, offshore drilling equipment, etc.

note: AIHTI reserves the right to make reasonable design changes without notice.

Copyright © 2019 - 2020 American Industrial Heat Transfer, Inc. 355 American Industrial Drive LaCrosse, VA 23950 tel: 434-757-1800 fax: 434-757-1810 email: sales@aihti.com

AOCSH Series *dimensions with electric / hydraulic drive*



AOCSH - 1005 through AOCSH - 4030

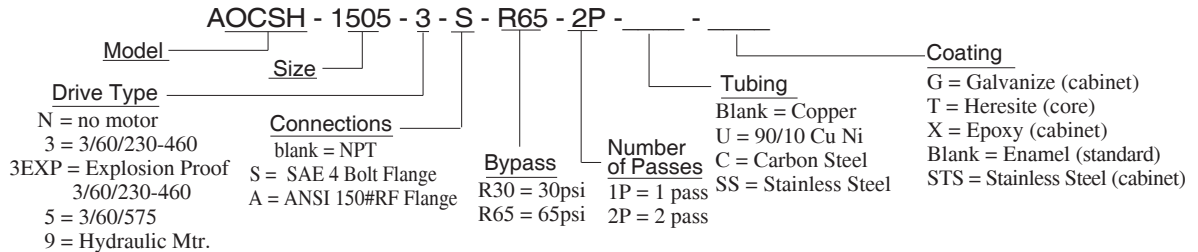
(F* and N*) are SAE code 61 four bolt flanges

DIMENSIONS (inches)																
Model	A	B	C	D	E	F NPT	F* SAE	G	H	J	K	L	M	N NPT	N* SAE	T
AOCSH-201 - *	26.00	22.75	38.50	6.00	6.00	1.25	1.25	11.00	1.38	7.00	13.25	19.61	9.00	1.50	1.50	18.00
AOCSH-303 - *	31.25	26.75	38.50	6.00	7.00	1.25	1.25	13.00	1.88	7.00	18.48	23.61	9.00	2.00	2.00	22.00
AOCSH-453 - *	35.00	32.25	40.88	6.00	8.00	1.50	1.50	15.75	1.88	7.00	22.23	29.13	9.00	2.00	2.00	28.00
AOCSH-603 - *	41.00	37.25	40.88	6.00	10.00	1.50	1.50	18.25	2.13	7.00	28.23	34.13	9.00	2.50	2.50	32.00
AOCSH-1005-*	46.25	44.25	42.75	6.00	10.50	2.00	2.00	21.75	3.50	8.00	33.48	41.13	13.50	3.00	3.00	36.00
AOCSH-1505-*	53.25	52.25	42.75	6.00	12.50	2.00	2.00	25.75	3.50	8.00	40.48	19.13	13.50	3.00	3.00	42.00
AOCSH-2010-*	62.25	58.75	80.00	9.00	15.00	3.00	3.00	29.00	4.50	8.00	49.48	55.61	15.50	4.00	4.00	48.00
AOCSH-2515-*	70.50	66.50	52.65	37.00	16.00	3.00	3.00	32.87	4.50	8.00	57.73	63.56	15.50	4.00	4.00	54.00
AOCSH-3120-*	76.50	68.75	52.65	40.00	17.00	3.00	3.00	34.00	4.50	8.00	63.76	65.61	15.50	4.00	4.00	60.00
AOCSH-3525-*	82.75	73.25	52.87	43.00	18.00	3.00	3.00	37.00	4.50	8.00	70.00	70.11	18.00	4.00	4.00	60.00
AOCSH-4030-*	88.78	79.25	52.87	46.00	20.00	3.00	3.00	40.00	4.50	8.00	76.00	76.13	18.00	4.00	4.00	60.00

*Represents the options for motor drive.

1. The AOCSH series construction materials are identical to AOCS series, (See page 189)
2. AOCSH electric motors and hydraulic motors are identical to AOCS Series (See page 193, 195)
3. Will provide a detailed drawing of the unit upon receiving an order
4. The overall height of the heat exchanger (C dimension) can change to meet any application

Example of a model:



COMMON DATA

Model	Air Flow		Sound Level dB(A) @ 13ft	Liquid Volume		Weight Electric		Weight Hydraulic		Serviceable Core™
	CFM	m ³ /s		gal.	cm ³	lb	kg	lb	kg	
AOCSH-201 -*	3000	1.41	77	1.7	6435	200	91	185	84	Yes
AOCSH-303 -*	4380	2.07	82	3.8	14383	310	141	260	118	Yes
AOCSH-453 -*	5920	2.79	78	4.8	18168	490	222	410	186	Yes
AOCSH-603 -*	8750	4.13	80	6.1	23089	580	263	490	222	Yes
AOCSH-1005-*	12650	5.97	84	7.7	29145	690	313	575	261	Yes
AOCSH-1505-*	16150	7.65	87	10.4	39364	910	413	1025	465	Yes
AOCSH-2010-*	23350	11.73	92	22.8	86298	1280	580	1062	482	Yes
AOCSH-2515-*	32000	15.00	95	27.5	104088	1610	730	1320	598	Yes
AOCSH-3120-*	39000	18.40	99	31.9	120742	1810	821	1483	673	Yes
AOCSH-3525-*	46000	21.71	99	47.0	177895	1980	898	1622	736	Yes
AOCSH-4030-*	54000	25.48	99	47.0	185466	2150	975	1762	799	Yes

Accessories for Air / Liquid Application

For detailed information and part number see Page 274

Electrical Temperature controller with Bulb Well Assembly (for Air / Liquid Coolers)

Part Number	Description
310-4011	TC-511 with 6-Foot Capillary Tube & Bulb Well
310-4002	TC-511 with 20-Foot Capillary Tube & Bulb Well
310-2025	Replacement Bulb Well TC-511



“3-Way” Thermostatic Valve

For detailed information and model selection see page 275



note: AIHTI reserves the right to make reasonable design changes without notice.