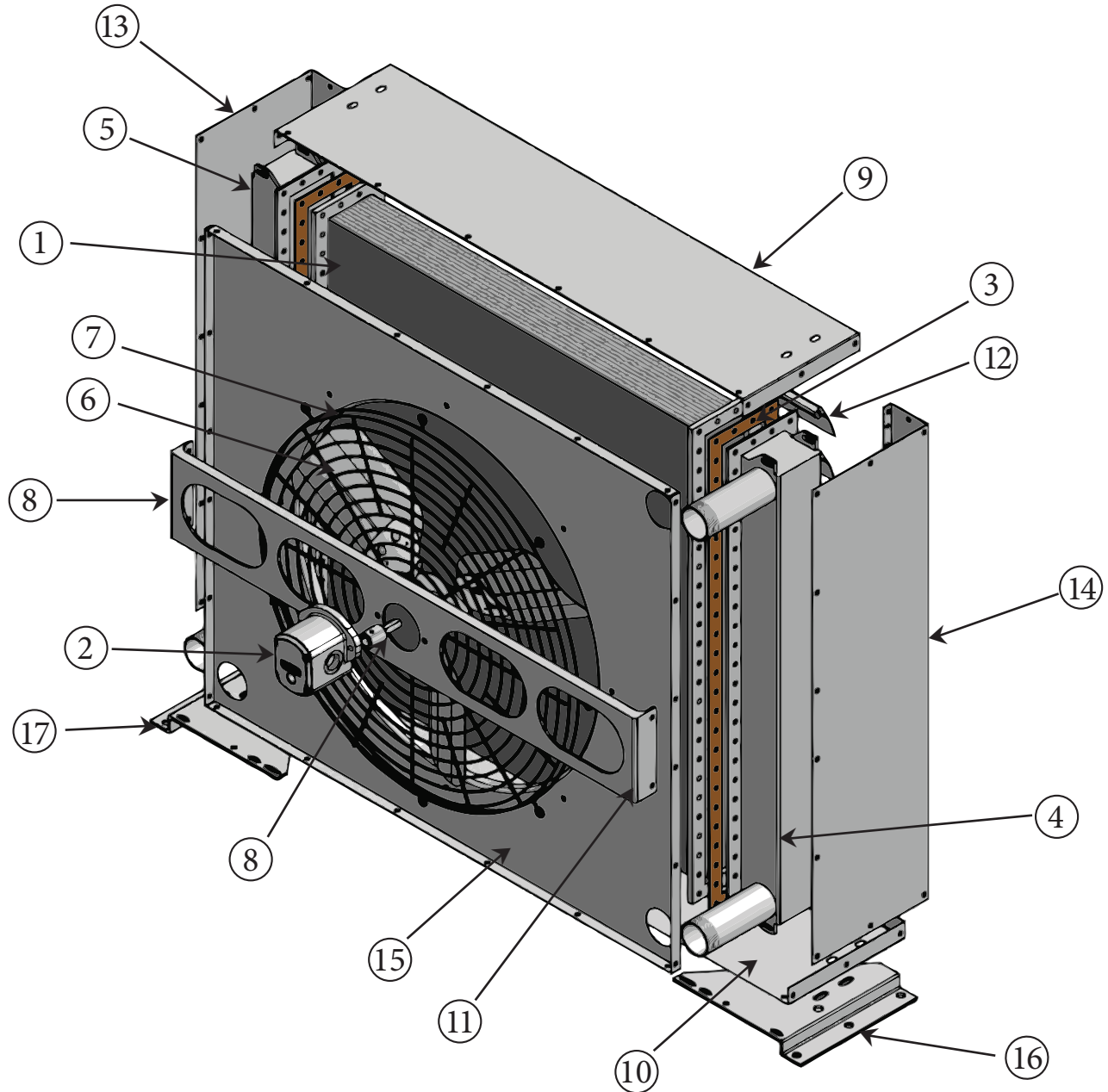


# AOCHM-20 Parts List



Description	Part#	Price	Stock	Description	Part#	Price	Stock
1. Core.....	104-2013		..... Stock:	9. Top Panel.....	104-0006		..... Stock:
2. Hydraulic Motor ....	306-3002		..... Stock:	10. Bottom Panel .....	104-0006		..... Stock:
3. Gasket Kit(EACH) ....	199-0012		..... Stock:	11. Motor Bracket .....	104-0009		..... Stock:
4. Right Tank(2 PIPE) ...	104-1029		..... Stock:	12. Louver(EACH).....	104-0004		..... Stock:
5. Left Tank(1 PIPE) ....	104-1028		..... Stock:	13. Side Panel .....	104-0002		..... Stock:
6. Fan .....	307-0059		..... Stock:	14. Side Panel .....	104-0002		..... Stock:
7. Fan Guard .....	308-0003		..... Stock:	15. Back Panel .....	104-0008		..... Stock:
8. Shaft Adaptor.....	312-1002		..... Stock:	16. Foot Mtg(LEFT) ....	108-0043		..... Stock:
				17. Foot Mtg(RIGHT)....	108-0044		..... Stock: