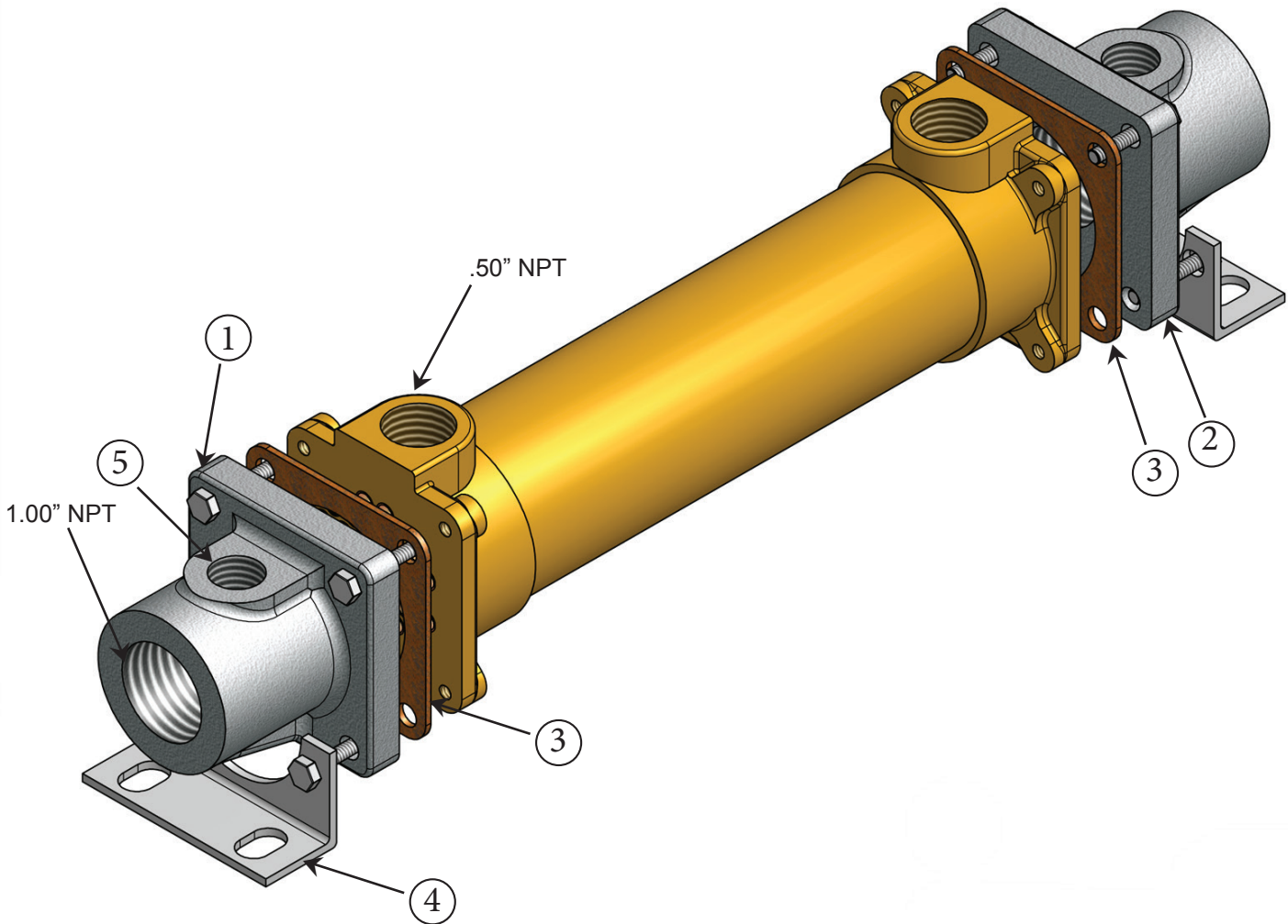


SAE-400-SP-L Parts List



<u>Item</u>	<u>Description</u>	<u>Material</u>	<u>Part Number</u>	<u>Stock</u>
1.	End Bonnet / In-Out	Cast Iron	201-0012	Yes
2.	End Bonnet / In-Out	Cast Iron	201-0012	Yes
1.	End Bonnet / In-Out	Cast Bronze	201-0017	Yes
2.	End Bonnet / In-Out	Cast Bronze	201-0017	Yes
1.	End Bonnet / In-Out	Stainless Steel	201-0019	Yes
2.	End Bonnet / In-Out	Stainless Steel	201-0019	Yes
3.	Gasket / Front-Back	Hypalon (CORK COMPOSITE)	302-1001	Yes
3.	Gasket / Front-Back	High Temp.(DURLON 8500)	302-1011	Yes
4.	Foot Bracket	Steel	201-0003	Yes
5.	Zinc Anode	Brass Fitting, Zinc Rod	301-0004	Yes

