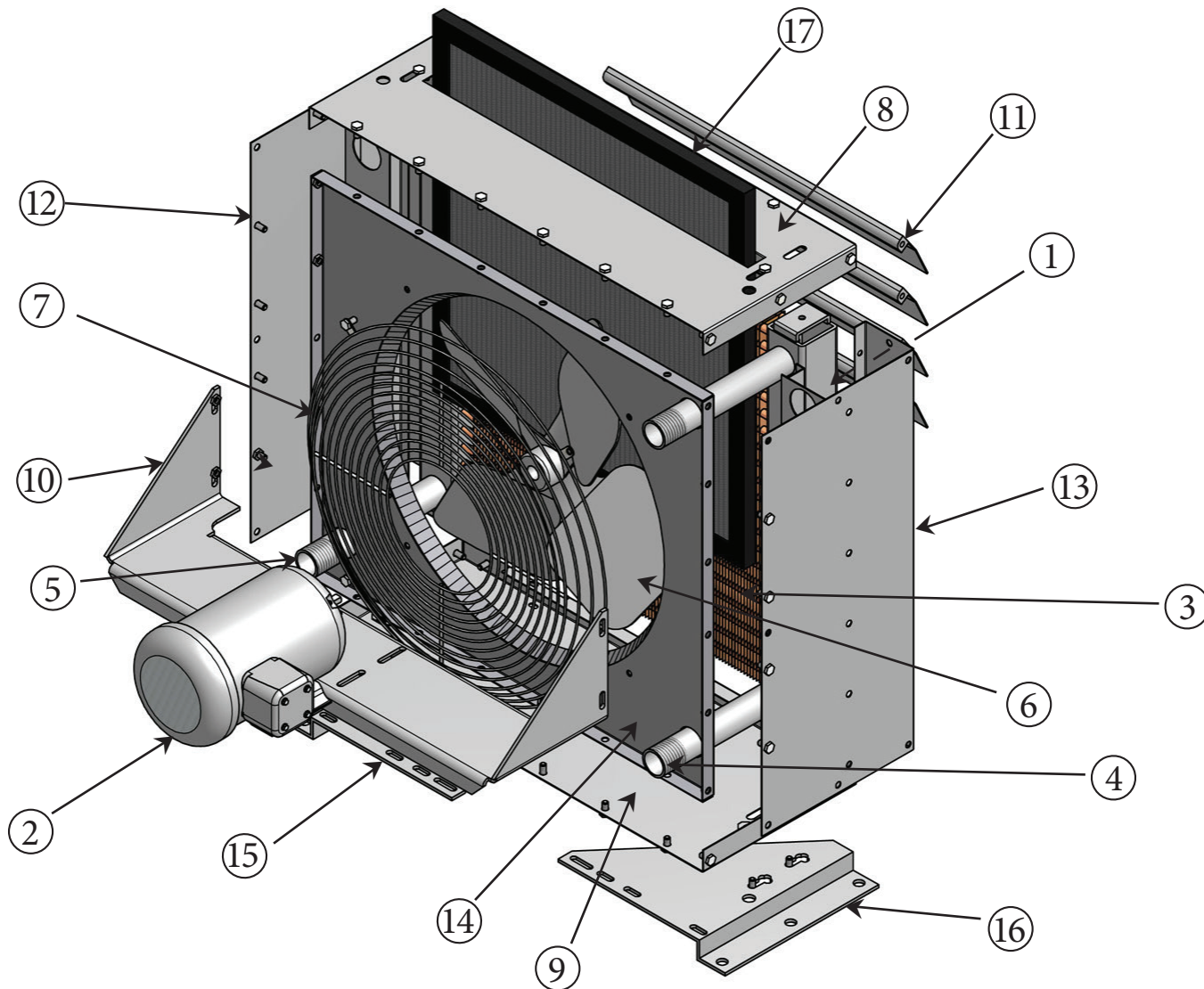


# ACF-25 Parts List



Description	Part#	Price	Stock	Description	Part#	Price	Stock
1. Core.....	105-1001		..... Stock:	3. Gasket Kit.....			..... Stock:
2. Motor .....	306-1009		..... Stock:	4. Right Manifold(2 Pipe).....			..... Stock:
.5 HP, Three Phase, (60/50) HZ, (208-230/460-190/380) Volt, (1140-950) RPM, 56 Frame, TEFC				5. Left Manifold(1 Pipe) .....			..... Stock:
2. Motor .....	306-1008		..... Stock:	6. Fan .....	307-0008		..... Stock:
.5 HP, Single Phase, (60/50) HZ, (115/208/230-90/190) Volt, (1140-950) RPM, 56 Frame, TEFC				7. Fan Guard .....	308-0004		..... Stock:
2. Motor .....	306-1007		..... Stock:	8. Top Panel.....	105-0007		..... Stock:
.5 HP, Three Phase, 60 HZ, 575 Volt, 1140 RPM, 56 Frame, TEFC				9. Bottom Panel.....	105-0006		..... Stock:
2. Motor .....	306-2006		..... Stock:	10. Motor Bracket .....	105-0005		..... Stock:
.5 HP, Three Phase, 60 HZ, (208-230/460) Volt, 1725 RPM, 56 Frame, Explosion Proof Motor				11. Louver(EACH) .....	105-0004		..... Stock:
2. Motor .....			..... Stock:	12. Side Panel .....	105-0023		..... Stock:
.5 HP, Single Phase, 60 HZ, (115/230) Volt, 1140 RPM, 56 Frame, Explosion Proof Motor				13. Side Panel .....	105-0023		..... Stock:
				14. Back Panel .....	105-0003		..... Stock:
				15. Foot Mtg(LEFT) .....	108-0043		..... Stock:
				16. Foot Mtg(RIGHT).....	108-0044		..... Stock:
				17. Filter.....	309-1005		..... Stock:
				18. Filter Bracket Kit ..	105-0012		..... Stock: