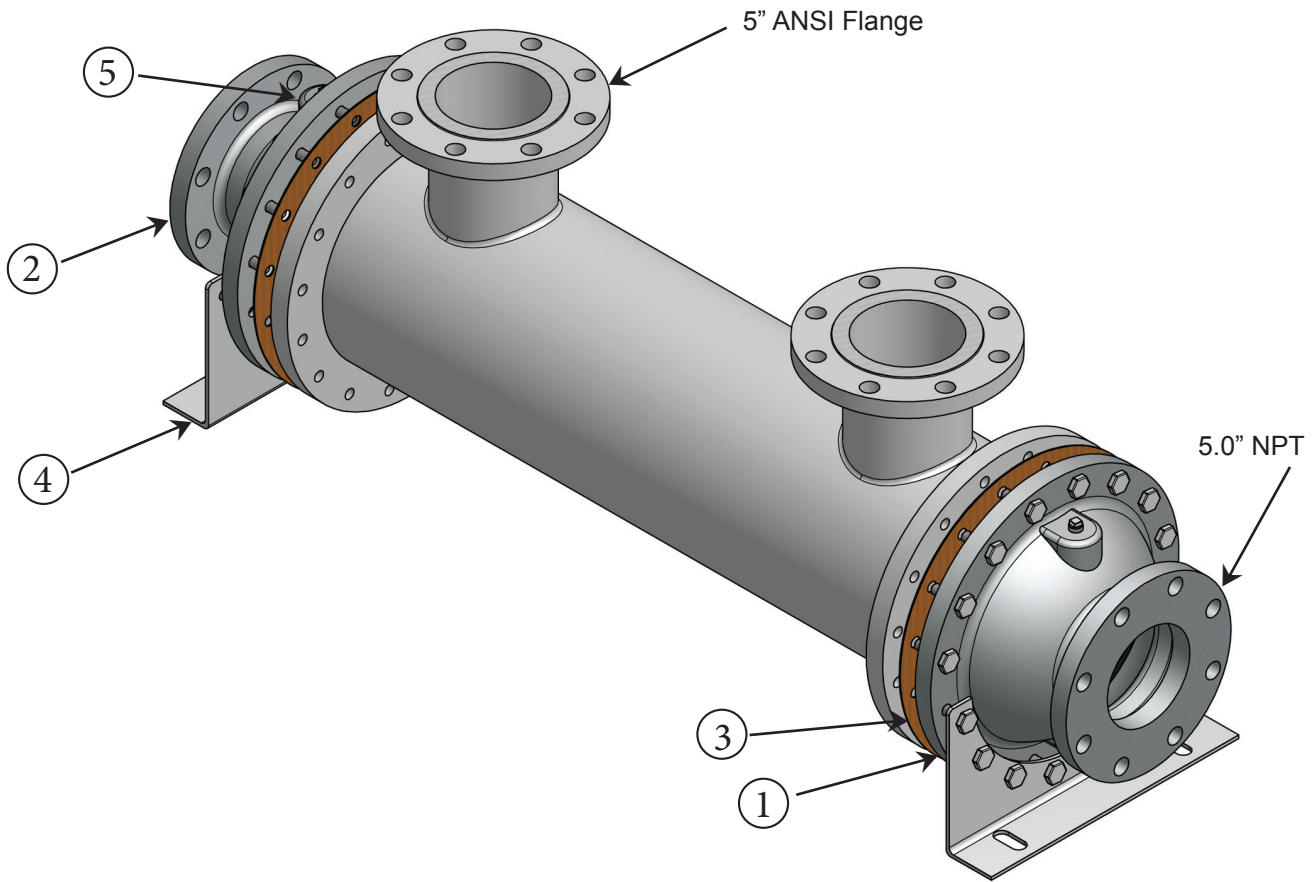


# AB-2000-SP Parts List



Item	Description	Material	Part Number	Stock
1.	End Bonnet / In-Out	Cast Iron	208-0002	Yes
2.	End Bonnet / In-Out	Cast Iron	208-0002	Yes
1.	End Bonnet / In-Out	Cast Bronze	208-0007	Yes
2.	End Bonnet / In-Out	Cast Bronze	208-0007	Yes
1.	End Bonnet / In-Out	Stainless Steel	208-0021	Yes
2.	End Bonnet / In-Out	Stainless Steel	208-0021	Yes
3.	Gasket / Front-Back	Hypalon (CORK COMPOSITE)	302-1022	Yes
3.	Gasket / Front-Back	High Temp.(DURLON 8500)	302-1077	Yes
4.	Foot Bracket	Steel	208-0013	Yes
5.	Zinc Anode	Brass Fitting, Zinc Rod	301-0003	Yes

