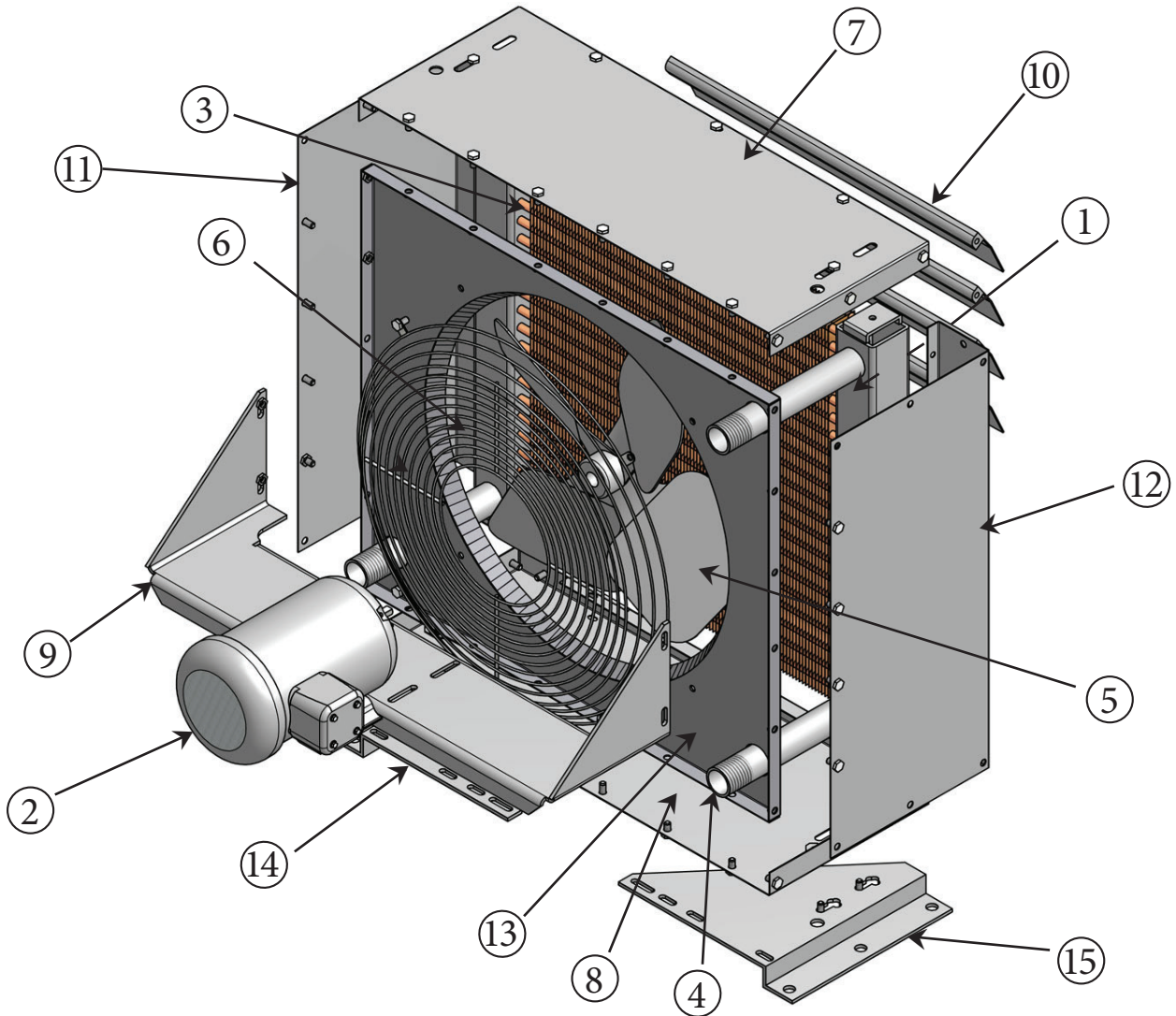


# AC-15 Parts List



Description	Part#	Price	Stock	Description	Part#	Price	Stock
1. Core.....	.....	.....	Stock:	3. Gasket Kit(EACH) .....	.....	.....	Stock:
2. Motor .....	.....	.....	Stock:	4. Manifold(RIGHT) .....	.....	.....	.....
.25 HP, Three Phase, (60/50) HZ, (230/460-190/380) Volt, 1725-1425 RPM, 48 Frame, TEFC				4. Manifold(LEFT) .....	.....	.....	.....
2. Motor .....	.....	.....	Stock:	5. Fan .....	307-0003	.....	Stock:
.25 HP, Single Phase, (60/50) HZ, (115/230-115/230) Volt, 1625-1425 RPM, 48 Frame, TEFC				6. Fan Guard .....	308-0002	.....	Stock:
2. Motor .....	.....	.....	Stock:	7. Top Panel.....	103-0006	.....	Stock:
.25 HP, Three Phase, (60/50) HZ, 575 Volt, 1725 RPM, 48 Frame, TEFC				8. Bottom Panel.....	103-0006	.....	Stock:
2. Motor .....	.....	.....	Stock:	9. Motor Bracket .....	103-0005	.....	Stock:
.25 HP, Three Phase, 60 HZ, (208-230/460) Volt, 1725 RPM, 48 Frame, Explosion Proof Motor				10. Louver(EACH).....	103-0004	.....	Stock:
2. Motor .....	.....	.....	Stock:	11. Side Panel .....	103-0002	.....	Stock:
.25 HP, Single Phase, 60 HZ, (115/230) Volt, 1725 RPM, 48 Frame, Explosion Proof Motor				12. Side Panel .....	103-0002	.....	Stock:
				13. Back Panel .....	103-0003	.....	Stock:
				14. Foot Mtg(LEFT) .....	108-0043	.....	Stock:
				15. Foot Mtg(RIGHT).....	108-0044	.....	Stock: