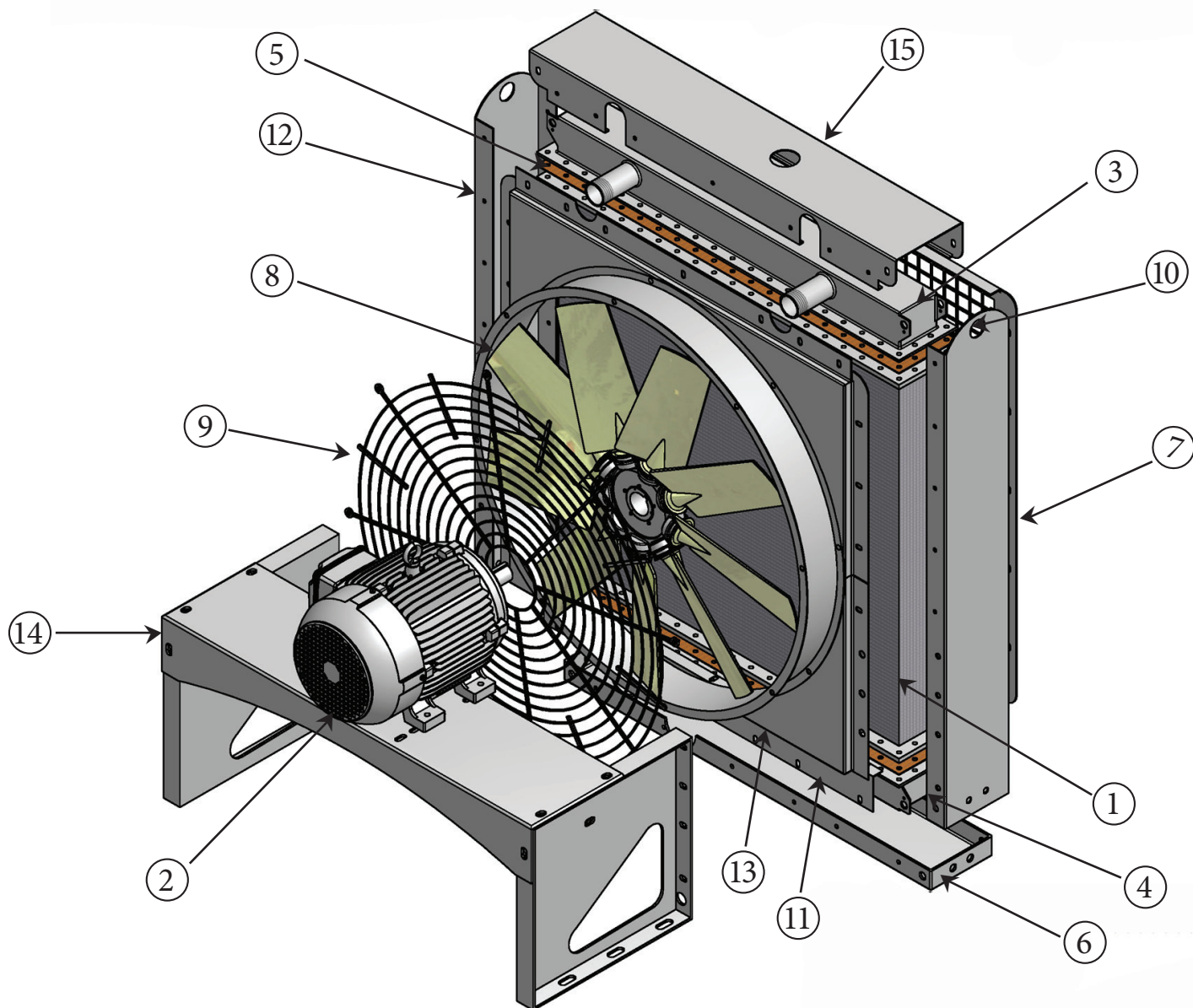


AOCS-201 Parts List



Description	Part#	Price	Stock	Description	Part#	Price	Stock
1. Core.....	110-1001.....		Stock:	3. Top Tank(2 PIPE).....	110-1013.....		Stock:
2. Motor	306-1063		Stock:	4. Bottom Tank(1 PIPE).....	110-1014.....		Stock:
1HP, Three Phase, (60/50) HZ, (230/460-190/380)				5. Gasket Kit (EACH) ...	199-0001		Stock:
Volt,(1745/1450) RPM,143T Frame, TEFC				6. Bottom Panel.....	110-1004.....		Stock:
2. Motor	306-1064		Stock:	7. Screen	110-1005.....		Stock:
1HP, Three Phase, 60 HZ, 575 Volt,1725 RPM,				8. Fan	307-0062		Stock:
143T Frame, TEFC				9. Fan Guard	308-0017		Stock:
2. Motor	306-1065		Stock:	10. Side Panel(RIGHT)..	110-1018.....		Stock:
1HP, Three Phase, 60 HZ, 230/460 Volt,1725 RPM,				11. Comp Panel.....	110-1019.....		Stock:
143T Frame, Explosion Proof Motor				12. Side Panel(LEFT) ...	110-1002.....		Stock:
				13. Back Panel	110-1007.....		Stock:
				14. Motor Bracket	110-1012.....		Stock:
				15. Top Cover	110-1003.....		Stock: