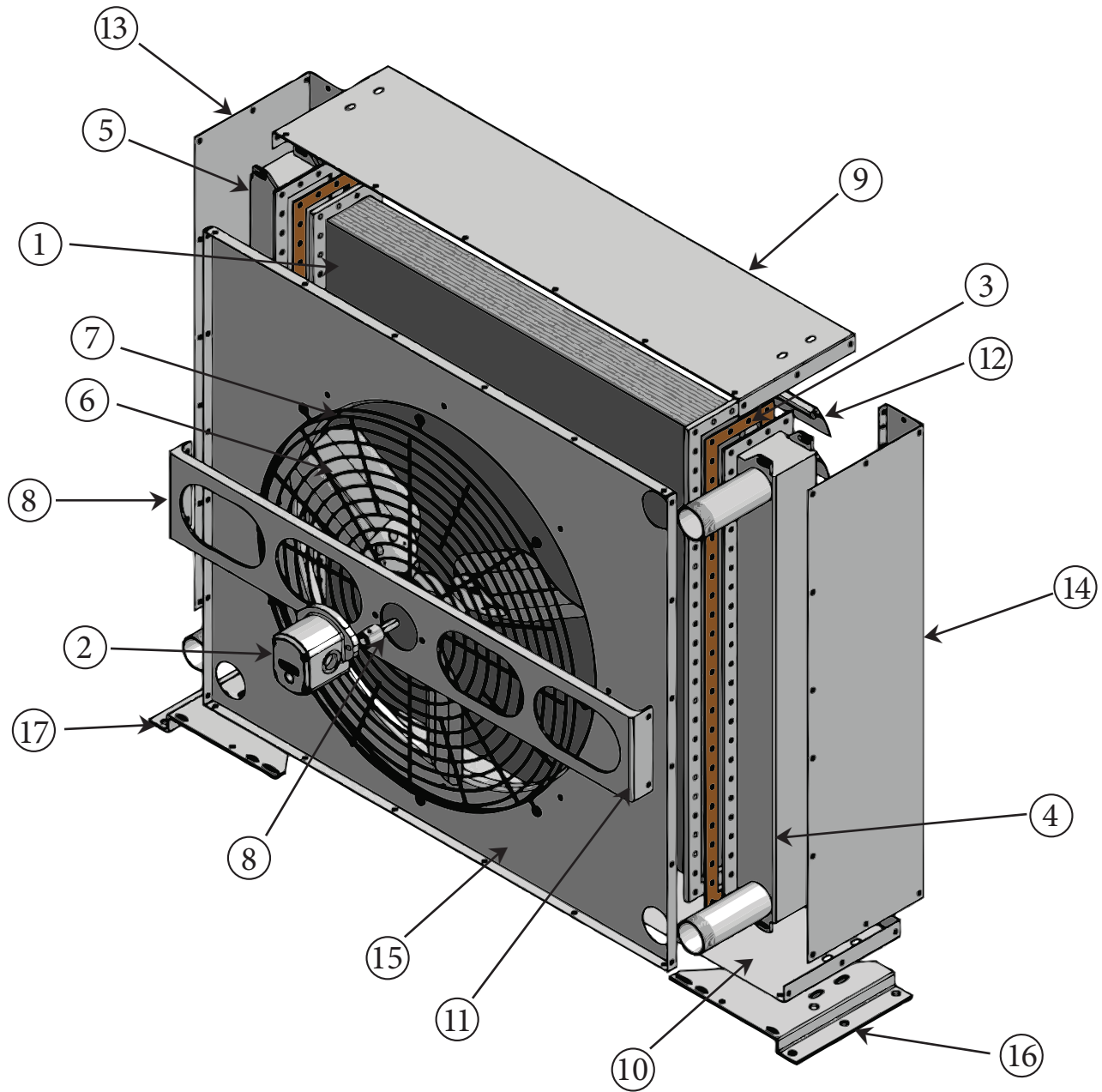


AOCHM-15- Parts List



Description	Part#	Price	Stock	Description	Part#	Price	Stock
1. Core.....	103-2001 Stock:	9. Top Panel.....	103-0006 Stock:
2. Hydraulic Motor	306-3002 Stock:	10. Bottom Panel.....	103-0006 Stock:
3. Gasket Kit.....		 Stock:	11. Motor Bracket	103-0009 Stock:
4. Right Tank.....		 Stock:	12. Louver(EACH).....	103-0004 Stock:
5. Left Tank.....		 Stock:	13. Side Panel	103-0002 Stock:
6. Fan	307-0061 Stock:	14. Side Panel	103-0002 Stock:
7. Fan Guard	308-0028 Stock:	15. Back Panel	103-0008 Stock:
8. Shaft Adaptor.....	312-1002 Stock:	16. Foot Mtg(LEFT)	108-0043 Stock:
				17. Foot Mtg(RIGHT)....	108-0044 Stock: