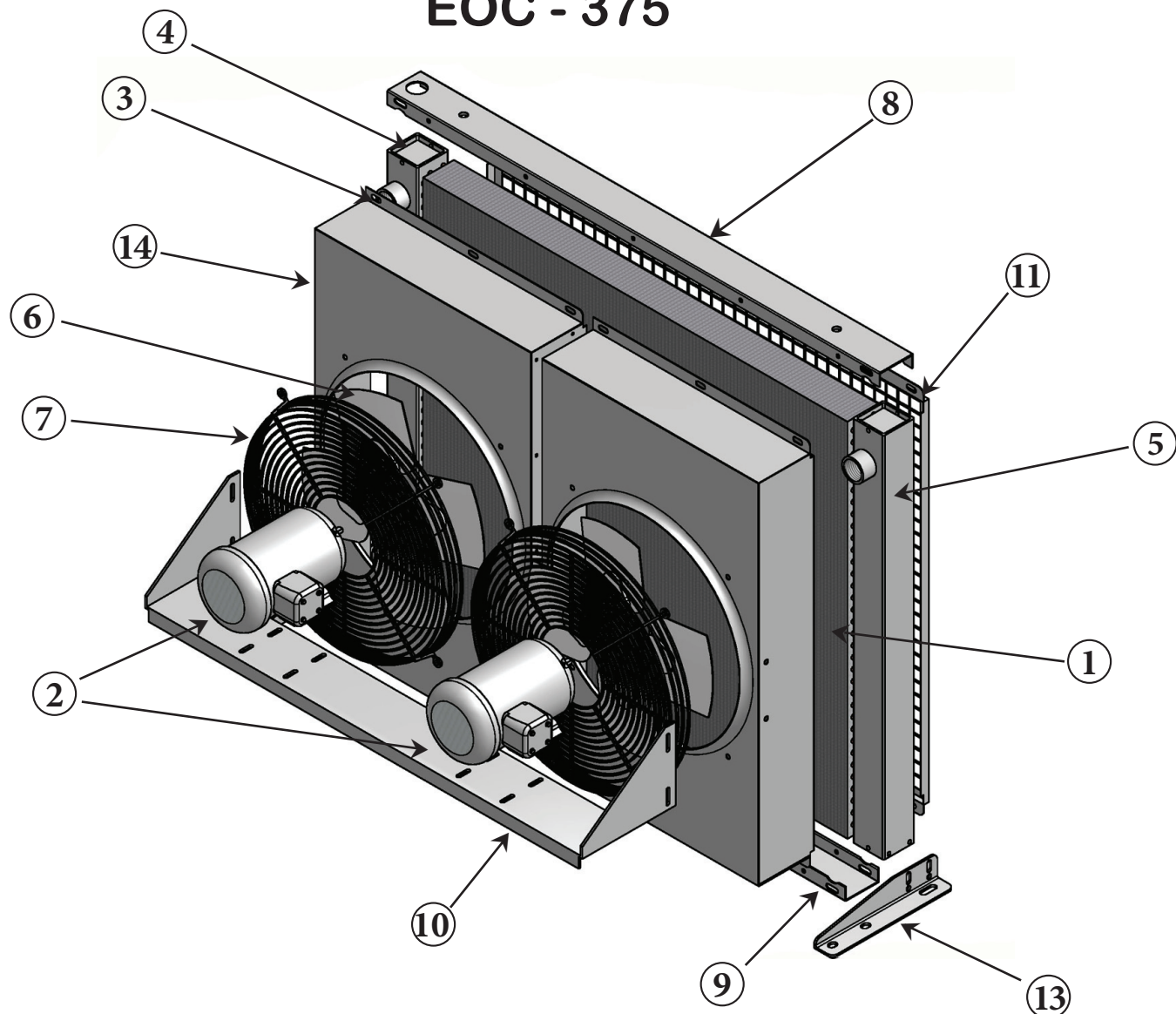


# EOC -375



Description	Part#	Price	Stock	Description	Part#	Price Each	Stock
1. Core(1 PASS) .....	<a href="#">CLICK HERE</a> .....		Stock:	2. Motor .....	306-1083 .....		..... Stock:
1. Core(2 PASS) .....	<a href="#">CLICK HERE</a> .....		Stock:		.25 HP, Current: DC, (12) Volt, 1750 RPM, 48 Frame, TENV		
2. Motor .....			Stock:	2. Motor .....	306-1084 .....		..... Stock:
	.25 HP, Three Phase, (60/50) HZ, (230/460-190/380) Volt, (1725-1425) RPM, 48 Frame, TENV				.25 HP, Current: DC, (24) Volt, 1750 RPM, 48 Frame, TEFC		
2. Motor .....	306-1018 .....		Stock:	3. Gasket Kit(EACH) .....			..... Stock:
	.25HP, Single Phase, (60/50) HZ, (115/230-90/190) Volt, 1725-1425 RPM, 48 Frame, TEFC			4. Left Manifold .....			..... :
2. Motor .....			Stock:	5. Right Manifold.....			..... :
	.25 HP, Three Phase, (60/50) HZ, 575 Volt, 1725-1425 RPM, 48 Frame, TEFC			6. Fan .....	307-0030.....		..... Stock:
2. Motor .....			Stock:	7. Fan Guard .....	308-0003.....		..... Stock:
	.25 HP, Three Phase, 60 HZ, (208-230/460) Volt, 1725 RPM, 48 Frame, Explosion Proof Motor			8. Top Panel.....	101-0006.....		..... Stock:
2. Motor .....			Stock:	9. Bottom Panel.....	101-0006.....		..... Stock:
	.25 HP, Single Phase, 60 HZ, (115/230) Volt, 1725 RPM, 48 Frame, Explosion Proof Motor			10. Motor Bracket ....	115-1313.....		..... Stock:
				11. Screen .....	115-1332.....		..... Stock
				12. Foot Mtg(LEFT) ....	115-1433.....		..... Stock:
				13. Foot Mtg(RIGHT)...	115-1432.....		..... Stock:
				14. Back Panel .....	115-1971.....		..... Stock: