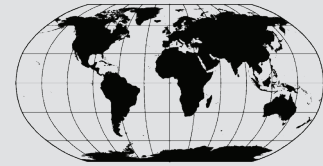


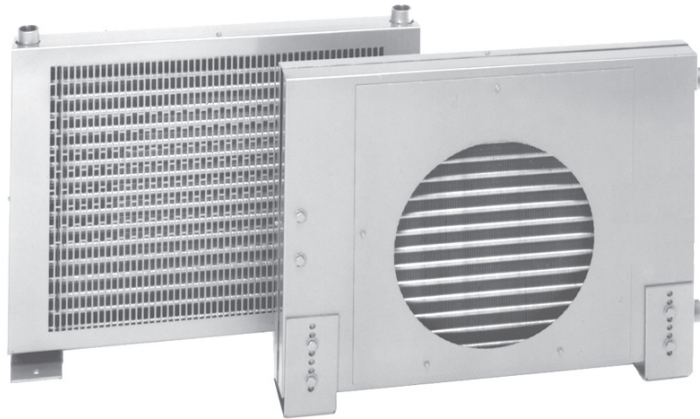
American Industrial Heat Transfer Inc.

Manufacturer of Quality Heat Exchangers



www.aihti.com

BM SERIES



BM - 201 thru BM - 322
SERIES



BM - 101 & BM - 102
SERIES

AIR COOLED

LIQUID COOLERS

- Mounts directly to TEFC electric motor.
- Fits NEMA frame sizes 48 through 365.
- Standard NPT or SAE connections.
- Operating temperature of 300°F & pressure of 300PSI.
- Cools case drains, hydraulic presses, bearings gear boxes, hydraulic tools, etc...

MODELS TO ACCOMMODATE ELECTRIC MOTOR NEMA FRAME SIZES

48 - 184	213 - 256	254 - 286	324 - 365
BM - 101	BM - 201	BM - 301	BM - 321
BM - 102	BM - 202	BM - 302	BM - 322

note: AIHTI reserves the right to make reasonable design changes without notice.

Copyright © 2019 - 2020 American Industrial Heat Transfer, Inc. 355 American Industrial Drive LaCrosse, VA 23950 tel: 434-757-1800 fax: 434-757-1810 email: sales@aihti.com

BM Series selection

SIZING

To properly size a BM TEFC Motor air-cooled oil cooler for industrial equipment, you should first determine some basic parameters associated with your system.

HEAT LOAD

In many instances the heat load must be determined by using a "total potential" method. This total potential or horse power method is the most common method, and is the simplest way to determine basic heat rejection requirements for hydraulic systems. The total potential is equal to the maximum operating flow and pressure that are generated by the system under full load. To determine the total potential (HP) use the following formula. Note: If the electric motor horsepower of the system prime mover is known, use it as your system potential.

$$HP = [\text{System Pressure (PSI)} \times \text{System flow (GPM)}] / 1714$$

Examples:

- (1) 7.5 HP 254T frame electric motor driving a pump = 7.50 HP potential
- (1) HP = (1250 PSI x 10 GPM) / 1714 = 7.30 HP or the total input potential

To determine the system heat load in BTU / HR we must use a percentage (v) of the system potential HP. The factor (v) can be calculated by adding up the actual inefficiencies of a system; however, for most applications a (v) value of 25% - 30% can be used.

Example: 7.50 HP x .30 = 2.25 HP heat

To convert the horsepower of heat into BTU/HR use the formula below:
HP x 2542 = BTU/HR

Example: 2.25 HP Heat x 2545 = 5,729 BTU/HR

Applying into a return line

For most open loop systems with vane or gear type fixed delivery pumps. To calculate the Fs value required when applying the air/oil cooler into a return line use the formula below:

$$Fs = \frac{BTU / HR \times Cv}{T - t_{ambient}} \quad \text{Example} = \frac{5729 \times 1.08}{140 - 90} = 123.7 \text{ Fs}$$

T = Desired system oil temperature leaving the cooler °F

t_{ambient} = Ambient air temperature entering the cooler °F

Cv = Correction factor for oil viscosity. Example: ISO32 oil @ 140°F = 1.08 (see chart)

APPLYING INTO A CASE LINE

In circumstances where the system is a closed loop, or when return line flow is not available, the case drain flow can be utilized to help cool the system. However, in many instances, the case drain flow alone will not be enough to reject all of the heat generated by the system. Case drain lines should not be treated as a normal return lines since the pressure drop allowable usually can vary from 2 - 10 PSI max. Check with your pump manufacturer for the appropriate pressure drop tolerance before applying any cooler. To size the system for case flow or case flow plus any additional flushing loops, please use the following method. Closed loop case drain operating temperatures are normally higher than open loop circuit return line temperatures.

Formula

$$Tc_{exit} = \{ T - [Q / (\text{case flow gpm} \times 210)] \}$$

Example

$$Tc_{exit} = \{ 155 - [5,729 / (3 \times 210)] \} = 145.9$$

Tc_{exit} = The corrected temperature of the oil exiting the cooler.

$$Fs = \frac{Q \times Cv}{Tc_{exit} - t_{ambient}} = \frac{5,729 \times 1.08}{145.9 - 90} = 101.6$$

SELECTION

To select a model, locate the flow rate (GPM) at the bottom of the flow vs Fs graph. Proceed upward until the GPM intersects with the calculated Fs. The curve closest above the intersection point will meet these conditions.

Examples:

Return Line	Case Drain
Fs = 123.7	Fs = 101.6
GPM = 10 "return line flow"	GPM = 3.0
Motor size = 324 frame	Motor size = 254T frame
Model = BM - 321	Model = BM - 302

PRESSURE DROP

Determine the oil pressure drop from the curves as indicated. For viscosities other than 50 sus at operating, multiply the actual indicated pressure drop (psi) for your GPM by the value in the pressure differential chart for your viscosity.

Examples:

	GPM = 10	GPM = 3
Indicated pressure drop	1.4 PSI	1 PSI
Cp correction factor for ISO 32 oil @ 140°F	1.23	1.23
Pressure drop correction	1.4x1.23 = 1.72 psi	1.0x1.23 = 1.23 psi

AIR FLOW CORRECTION CHART

In some instances our units are applied to motors or application where additional or less air flow is available than the flows used for our performance curves. In these instances you can use our air flow correction curves to determine if one of the existing models will work for your application.

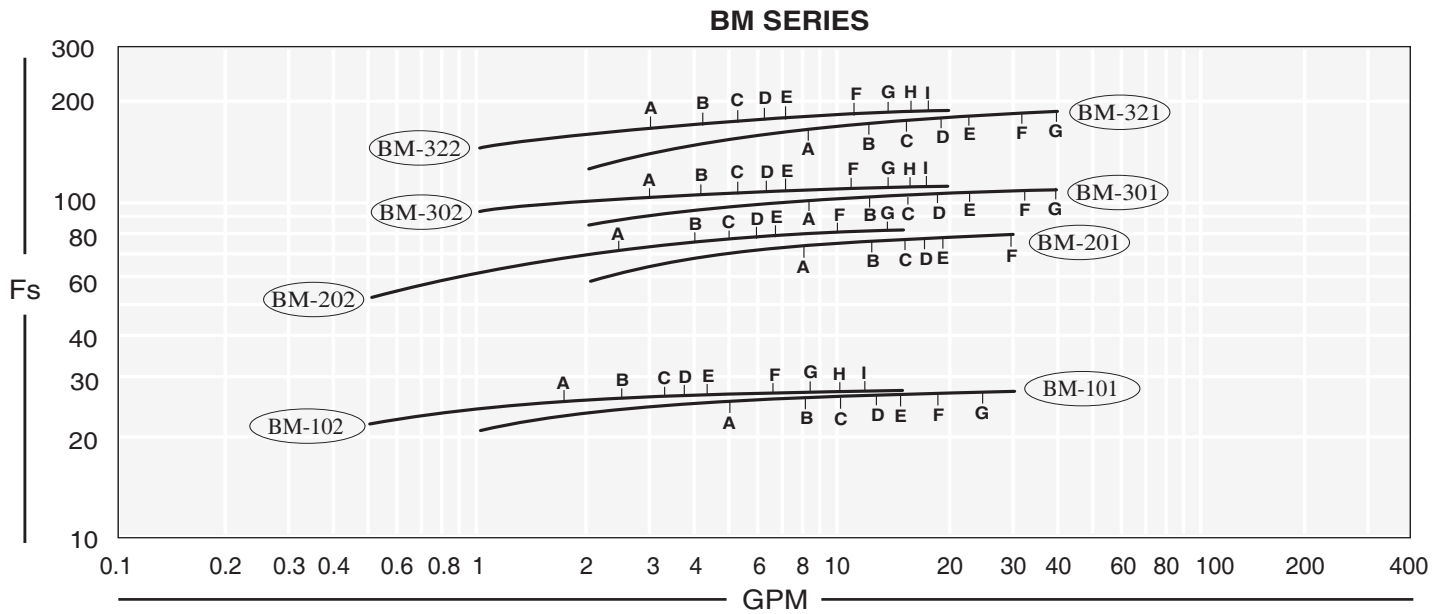
Example:

Follow the preceding examples to properly determine your required Fs. Use the following formula to correct for the difference in air-flow rate. If the calculated Fs = 123.7 and the electric motor were a 1800 rpm 326 frame motor with 250 cfm of air flow, correct as shown. Select the correction factor Cf only from the curve that matches to your electric motor frame size properly. Note: Using a unit that is too small may damage your electric motor due to lack adequate of air flow.

Formula: Fs x Cf = CFs (corrected) Example: CFs = 123.7 x 1.50 (from curve) = 185.6 CFs

Average Liquid Temperature	Cv VISCOSITY CORRECTION FACTORS																	
	SAE 5	SAE 10	SAE 20	SAE 30	SAE 40	ISO 22	ISO 32	ISO 46	ISO 68	ISO 100	ISO 150	ISO 220	ISO 320	MIL-L 7808	POLY-GLYCOL	PHOSPHATE ESTER	50% ETHYLENE GLYCOL & WATER	
100	1.11	1.15	1.25	1.38	1.45	1.08	1.14	1.18	1.26	1.37	1.43	1.56	1.84	1.19	0.92	0.83	0.85	
110	1.09	1.12	1.20	1.32	1.40	1.06	1.13	1.16	1.25	1.31	1.39	1.48	1.67	1.14	0.89	0.80	0.84	
120	1.06	1.10	1.17	1.27	1.35	1.04	1.11	1.14	1.20	1.27	1.35	1.40	1.53	1.09	0.88	0.79	0.84	
130	1.04	1.08	1.13	1.24	1.29	1.03	1.09	1.13	1.17	1.24	1.30	1.34	1.44	1.05	0.85	0.77	0.83	
140	1.03	1.05	1.11	1.19	1.25	1.02	1.08	1.10	1.16	1.20	1.26	1.30	1.39	1.03	0.84	0.76	0.82	
150	1.01	1.04	1.09	1.16	1.22	1.02	1.06	1.09	1.13	1.17	1.22	1.27	1.33	1.01	0.83	0.74	0.82	
200	0.98	0.99	1.01	1.04	1.07	0.98	0.99	1.00	1.01	1.02	1.08	1.09	1.14	0.98	0.79	0.71	0.80	
250	0.95	0.96	0.97	0.98	0.99	0.95	0.96	0.96	0.96	0.97	0.99	1.01	1.02	0.97	0.76	0.69	0.79	

Average Liquid Temperature	Cp PRESSURE DROP CORRECTION FACTORS																	
	SAE 5	SAE 10	SAE 20	SAE 30	SAE 40	ISO 22	ISO 32	ISO 46	ISO 68	ISO 100	ISO 150	ISO 220	ISO 320	MIL-L 7808	POLY-GLYCOL	PHOSPHATE ESTER	50% ETHYLENE GLYCOL & WATER	
100	2.00	2.40	4.40	6.40	8.80	1.07	1.53	1.82	2.54	4.19	6.44	9.38	13.56	1.26	3.00	3.50	0.730	
110	1.70	2.10	3.60	5.10	6.70	1.04	1.45	1.72	2.35	3.73	5.70	8.33	11.63	1.20	2.40	2.90	0.720	
120	1.50	1.80	3.00	4.20	5.60	1.02	1.38	1.60	2.15	3.26	4.91	7.23	9.73	1.14	2.10	2.50	0.709	
130	1.40	1.60	2.60	3.40	4.50	0.99	1.30	1.49	1.94	2.80	4.14	6.19	7.80	1.08	1.90	2.20	0.698	
140	1.30	1.50	2.23	2.90	3.70	0.97	1.23	1.38	1.75	2.38	3.47	5.20	6.11	1.03	1.90	2.00	0.686	
150	1.20	1.30	1.90	2.50	3.10	0.95	1.17	1.30	1.61	2.04	2.90	4.35	4.77	0.98	1.70	1.90	0.676	
200	0.93	0.96	1.20	1.40	1.60	0.89	0.99	1.08	1.18	1.33	1.59	1.74	1.95	0.90	1.20	1.30	0.635	
250	0.81	0.82	0.92	0.97	1.05	0.85	0.93	0.96	1.03	1.11	1.21	1.22	1.23	0.83	1.00	1.05	0.556	



PERFORMANCE CALCULATION	
$F_s = \frac{\text{Horsepower to be removed (HP)} \times 2545 \times C_v}{\text{°F (Oil Leaving* - Ambient Air Entering)}} = \frac{\text{BTU}}{\text{hr °F}}$	

*Represents desired fluid leaving the cooler.

OIL PRESSURE DROP (PSI) CODE		
A = 1 PSI	D = 4 PSI	G = 15 PSI
B = 2 PSI	E = 5 PSI	H = 20 PSI
C = 3 PSI	F = 10 PSI	I = 25 PSI

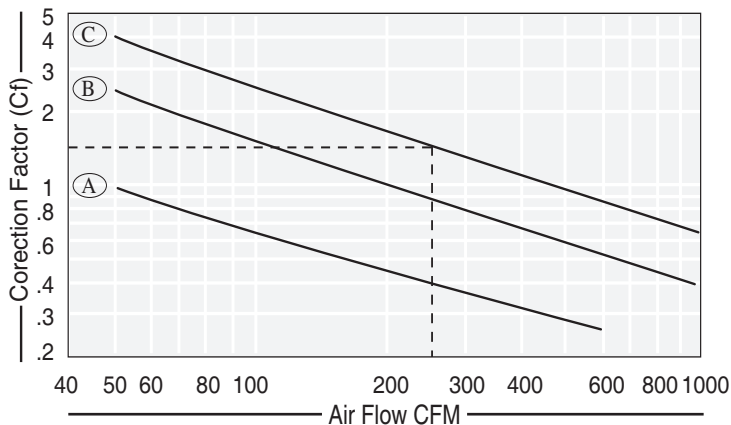
Note:

Performance curves are based upon petroleum oil at 50 sus. For average oil viscosities other than 50 sus, use the correction factors C_v & C_p located on page 3. If the above models can not meet your cooling needs, please refer to our fan cooled models.

Standard Construction Materials			
Tubes	Copper	Manifold	Steel
Fins	Aluminum	Mount. bracket	Steel
Turbulators	Steel	Cabinet	Steel

Standard Unit Ratings	
Operating Pressure	300 psig
Operating Temp.	400 °F

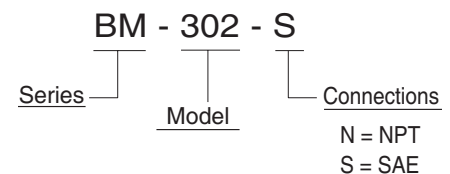
Air Flow Correction Chart



ELECTRIC MOTOR NEMA FRAME SIZES

Curve A	Curve B		Curve C
48 - 184	213 - 256	254 - 286	324 - 365
BM - 101	BM - 201	BM - 301	BM - 321
BM - 102	BM - 202	BM - 302	BM - 322

EXAMPLE OF A MODEL



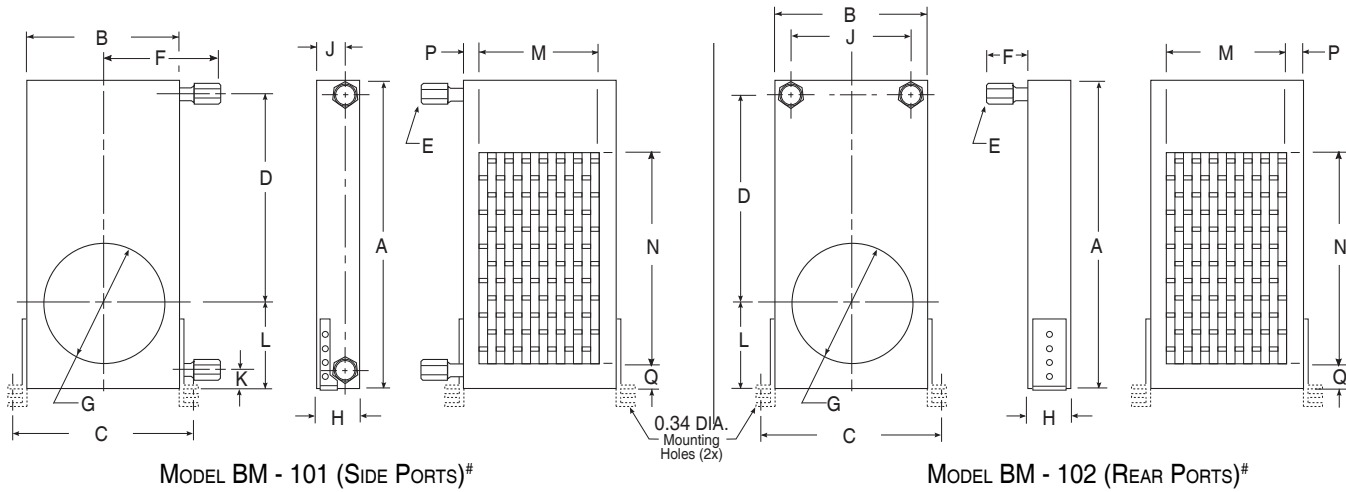
Use the following formula to correct for airflow rates for the given curves A,B, or C (as it is shown in the above dotted line graph).

Formula
 $F_s \times C_f = CFs$ (corrected F_s)

Example
 123.7×1.50 (from curve) = 185.6 CFs

BM Series *dimensions*

BM-101 or BM-102 can be used for electric motor NEMA frame size 48-184



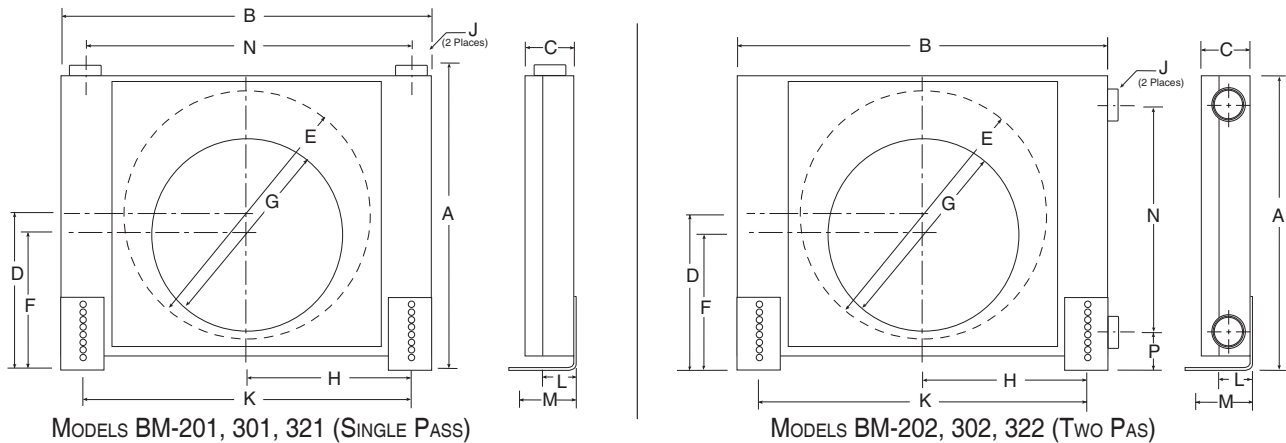
MODEL BM - 101 (SIDE PORTS)#

MODEL BM - 102 (REAR PORTS)#

STANDARD DIMENSIONS (inches)

Model	A	B	C	D	E NPT	E SAE	F	G Dia.	H	J	K	L	M	N	P	Q	Weight LBS
BM - 101	15.75	9.00	10.25	8.50	.75	#12	7.75	7.00	2.22	.94	1.13	5.88	7.50	10.50	0.75	2.31	14.50
BM - 102							2.69			6.00	-						14.50

BM-201 thru BM-322 can be used for electric motor NEMA frame size 213-365

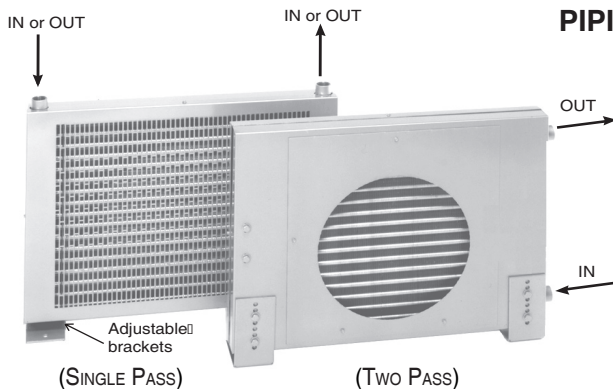


MODELS BM-201, 301, 321 (SINGLE PASS)

MODELS BM-202, 302, 322 (TWO PAS)

STANDARD DIMENSIONS (inches)

Model	A	B	C	D	E Dia.	F	G Dia.	H	J NPT	J SAE	K	L	M	N	P	Weight LBS
BM - 201	14.90	16.50	2.75	7.33	12.62	5.13	8.00	7.38	.75	#12;1-1/16-12	14.75	.50	1.94	14.62	-	14
BM - 202	13.75	16.50	2.75	7.33	12.62	5.13	8.00	7.38	.75	#12;1-1/16-12	14.75	.50	1.94	8.00	3.19	14
BM - 301	19.50	24.80	2.75	9.75	14.62	8.19	12.00	10.72	.75	#12;1-1/16-12	21.44	.88	3.38	22.88	-	30
BM - 302	18.69	24.80	2.75	9.75	14.62	8.19	12.00	10.72	.75	#12;1-1/16-12	21.44	.88	3.38	14.00	2.62	30
BM - 321	19.50	24.80	2.75	9.75	17.00	9.75	14.62	10.72	.75	#12;1-1/16-12	21.44	.88	3.38	22.88	-	30
BM - 322	18.69	24.80	2.75	9.75	17.00	9.75	14.62	10.72	.75	#12;1-1/16-12	21.44	.88	3.38	14.00	2.62	30



PIPING HOOK-UP

Note:

To obtain the best performance place the opening of the unit against the fan air intake of the motor. Use a gasket or calking compound around the joint to prevent air from leaking out from around the edges.

Receiving / Installation

a) Inspect unit for any shipping damage before uncrating. Indicate all damages to the trucking firms' delivery person and mark it on the receiving bill before accepting the freight. Make sure that the core and fan are not damaged. Rotate the fan blade to make sure that it moves freely. *Since the warranty is based upon the unit date code located on the model identification tag, removal or manipulation of the identification tag will void the manufacturers warranty.*

c) Standard Enamel Coating: American Industrial provides its standard products with a normal base coat of oil base air cure enamel paint. The enamel paint is applied as a temporary protective and esthetic coating prior to shipment. While the standard enamel coating is durable, American Industrial does not warranty it as a long-term finish coating. It is strongly suggested that a more durable final coating be applied after installation or prior to long-term storage in a corrosive environment to cover any accidental scratches, enhance esthetics, and further prevent corrosion. It is the responsibility of the customer to provide regular maintenance against chips, scratches, etc... and regular touch up maintenance must be provided for long-term benefits and corrosion prevention.

d) Special Coatings: American Industrial offers as customer options, Air-Dry Epoxy, and Heresite (Air-Dry Phenolic) coatings at additional cost. American Industrial offers special coatings upon request, however American Industrial does not warrantee coatings to be a permanent solution for any equipment against corrosion. It is the responsibility of the customer to provide regular maintenance against chips, scratches, etc... and regular touch up maintenance must be provided for long-term benefits and corrosion prevention.

e) American Industrial recommends that the equipment supplied should be installed by qualified personnel who have solid understanding of system design, pressure and temperature ratings, and piping assembly. Verify the service conditions of the system prior to applying any air cooled heat exchanger series cooler. If the system pressure or temperature does not fall within the parameters on model rating tag located on the heat exchanger, contact our factory prior to installation or operation.

g) Heat exchanger should be securely fastened using the mounting foot brackets (included). All mounting holes should be used to secure unit into place.

h) Connections should be made in "one pass" or "Two Pass" configurations exactly as indicated in the "piping hook up" illustration. The process flow entering the "Fluid IN" port and exiting the "Fluid OUT" port eliminates air pockets and assures that the unit will stay completely flooded. Flexible hose can be applied to reduce the risk of core failure due to thermal expansion or system vibration. Piping alignment and support is required for hoses longer than four feet in length and for piping exerting more than 10 lbs of dynamic force. It is recommended that filtration be located ahead of the heat exchanger to prevent excessive backpressure and clogging.

i) With respect to the heat exchangers nozzle size, flow line sizes should be sized to handle the appropriate flow rate and system pressure drop requirements, normally flow line rates of about 8-12 feet per second and inlet pressure less than 100psig are experienced. If the flow line size is larger than the heat exchanger nozzle size, additional pressure loss beyond the published pressure loss data may occur.

j) Electric motors should be connected only to supply source of the same characteristics as indicated on the electric motor information plate. Prior to starting, verify that the motor and fan spin freely without obstruction. Check carefully that the fan turns in the correct rotation direction (normally counter clockwise) from the motor side (fan direction arrow). Failure to operate the fan in the proper direction could reduce performance or cause serious damage to the heat exchanger or other components.

k) Solely at the request of customers, American Industrial provides direct acting internal inlet port to outlet port bypass relief valves as an additional safe guard against excessive flow and over pressurization of the heat exchanger. American Industrial purchases and applies high quality hydraulic system cartridge valves and components made available for hydraulic system use. However, American Industrial does not specify, recommend, suggest, guarantee, or warrantee the internal relief valve or its performance to safe guard the heat exchanger from damage or prevent failure due to excessive flow or over pressurization. It is the ultimately the sole responsibility of the customer/user to verify with the original equipment manufacture all conditions associated with applying an additional system relief valve prior to application.

Maintenance

Regular maintenance intervals based upon the surrounding and operational conditions should be maintained to verify equipment performance and to prevent premature component failure. Since some of the components such as, motors, fans, etc... are not manufactured by American Industrial, maintenance requirements provided by the manufacture must be followed.

a) Inspect the entire heat exchanger and motor/fan assembly for loosened bolts, loose connections, broken components, rust spots, corrosion, fin/coil clogging, or external leakage. Make immediate repairs to all affected areas prior to restarting and operating the heat exchanger or its components.

b) Heat exchangers operating in oily or dusty environments will often need to have the coil cooling fins cleaned. Oily or clogged fins should be cleaned by carefully brushing the fins and tubes with water or a non-aggressive degreasing agent mixture (*Note: Cleaning agents that are not compatible with copper, brass, aluminum, steel or stainless steel should not be used*). A compressed air or a water stream can be used to dislodge dirt and clean the coil further. Any external dirt or oil on the electric motor and fan assembly should be removed. *Caution: Be sure to disconnect the electric motor from its power source prior to doing any maintenance.*

c) In most cases it is not necessary to internally flush the coil. In circumstances where the coil has become plugged or has a substantial buildup of material, flushing the coil with water or a solvent may be done. Flushing solvents should be non-aggressive suitable for the materials of construction. Serviceable Core® models can be disassembled and inspected or cleaned if required.

e) Fan blades should be cleaned and inspected for tightness during the regular maintenance schedule when handling a fan blade care must be given to avoid bending or striking any of the blades. Fan blades are factory balanced and will not operate properly if damaged or unbalanced. Damaged fan blades can cause excessive vibration and severe damage to the heat exchanger or drive motor. Replace any damaged fan with an American industrial suggested replacement.

f) Air cooled exchanger cabinets are constructed using 7ga. through 18ga. steel that may be bent back into position if damaged. Parts that are not repairable can be purchased through American Industrial.

g) Coil fins that become flattened can be combed back into position. This process may require removal of the coil from the cabinet.

h) It is not advisable to attempt repairs to brazed joints of a brazed construction coil unless it will be done by an expert in silver solder brazing. Brazed coils are heated uniformly during the original manufacturing process to prevent weak zones from occurring. Uncontrolled reheating of the coil may result in weakening of the tube joints surrounding the repair area. In many instances brazed units that are repaired will not hold up as well to the rigors of the system as will a new coil. American Industrial will not warranty or be responsible for any repairs done by unauthorized sources. Manipulation in any way other than normal application will void the manufactures warranty.