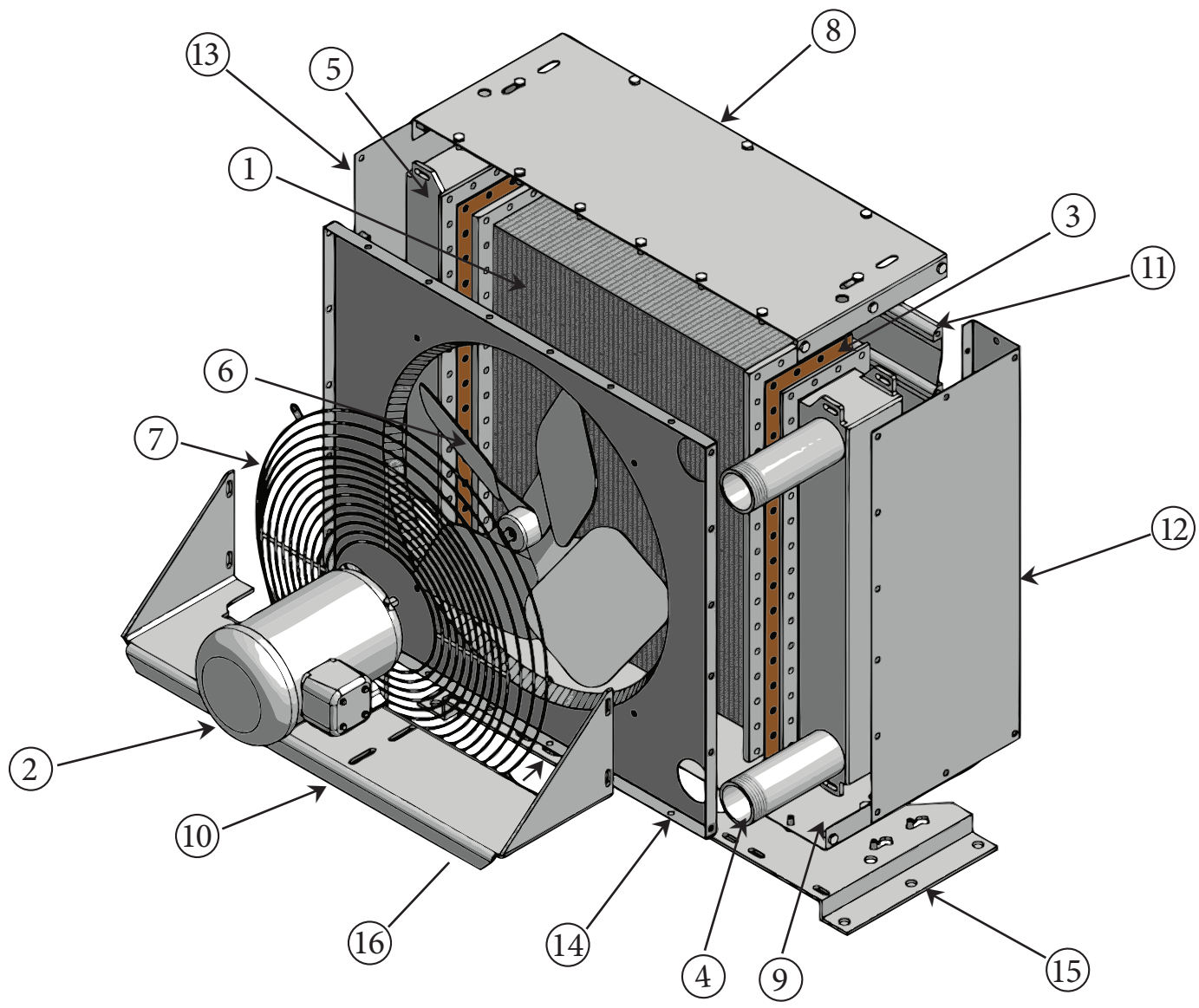


# AOCH-30 Parts List



Description	Part#	Price	Stock	Description	Part#	Price	Stock
1. Core.....	106-2020		..... Stock:	3. Gasket Kit(EACH) ....	199-0014		..... Stock:
2. Motor .....	306-1014		..... Stock:	4. Right Tank(2 PIPE) ...	106-0047		..... Stock:
1 HP, Three Phase, (60/50) HZ, (208-230/460-190/380) Volt, 1725 RPM, 56 Frame, TEFC				5. Left Tank(1 PIPE) ....	106-0046		..... Stock:
2. Motor .....	306-1013		..... Stock:	6. Fan .....	307-0010		..... Stock:
1 HP, Single Phase, (60/50) HZ, (115/208-230) Volt, 1725 RPM, 56 Frame, TEFC				7. Fan Guard .....	308-0005		..... Stock:
2. Motor .....	306-1015		..... Stock:	8. Top Panel.....	106-0006		..... Stock:
1 HP, Three Phase, (60/50) HZ, 575 Volt, 1725 RPM, 56 Frame, TEFC				9. Bottom Panel.....	106-0006		..... Stock:
2. Motor .....	306-2010		..... Stock:	10. Motor Bracket ....	106-0005		..... Stock:
1 HP, Three Phase, 60/50 (HZ), 230/460 Volt, 1725 RPM, 56 Frame, Explosion Proof Motor				11. Louver.....	106-0004		..... Stock:
2. Motor .....	306-2009		..... Stock:	12. Side Panel .....	106-0002		..... Stock:
1 HP, Single Phase, (60/50) HZ, 115/230 Volt, 1725 RPM, 56 Frame, Explosion Proof Motor				13. Side Panel .....	106-0002		..... Stock:
				14. Back Panel .....	106-0008		..... Stock:
				15. Foot Mtg(LEFT) ....	108-0043		..... Stock:
				16. Foot Mtg(RIGHT)....	108-0044		..... Stock: