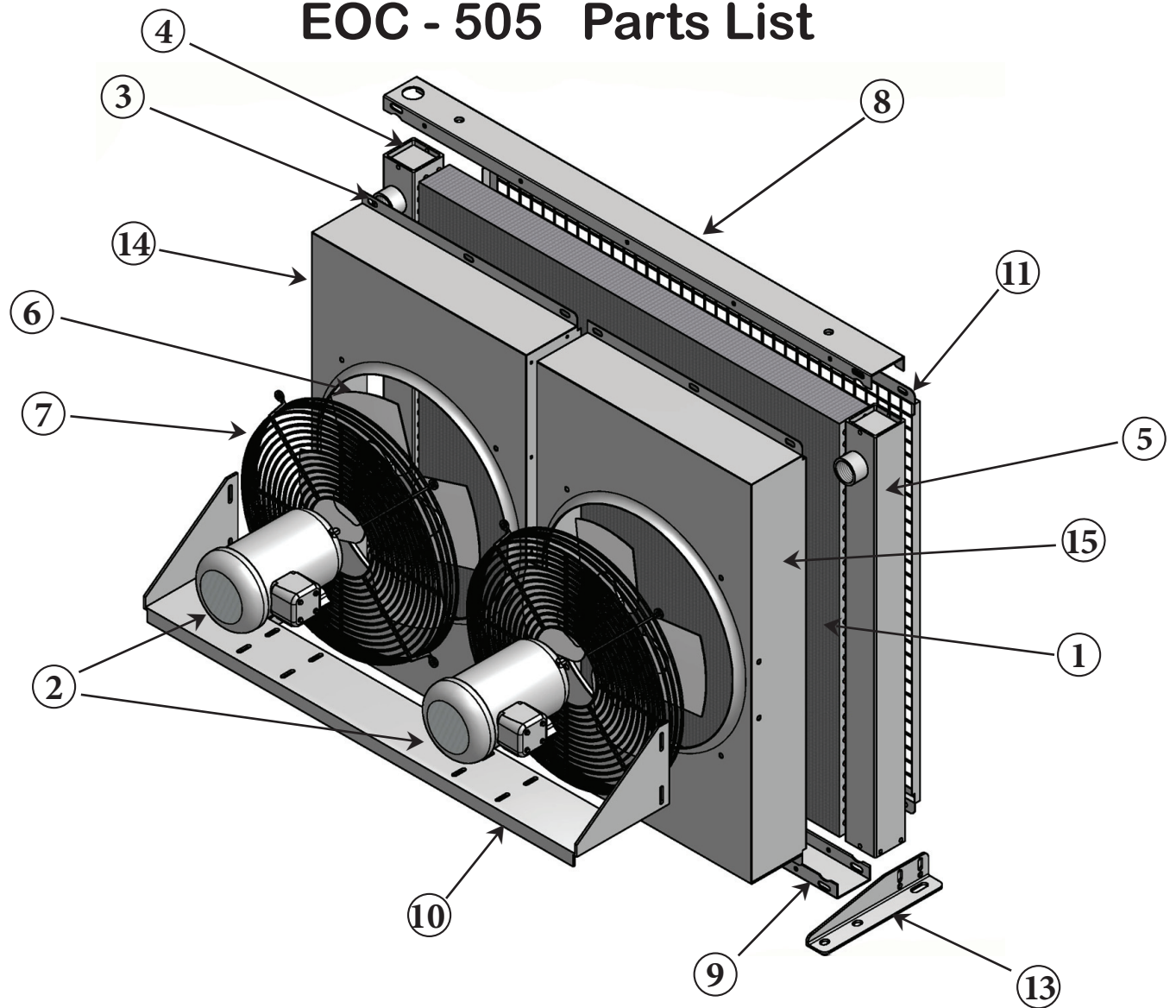


EOC - 505 Parts List



Description	Part#	Price	Stock	Description	Part#	Price Each	Stock
1. Core(1 PASS)	CLICK HERE		Stock:	2. Motor	306-1083		Stock:
1. Core(2 PASS)	CLICK HERE		Stock:		.25 HP, Current: DC, (12) Volt, 1750 RPM, 48 Frame, TENV		
2. Motor	306-1002		Stock:	2. Motor	306-1084		Stock:
	.25 HP, Three Phase, (60/50) HZ, (230/460-190/380) Volt, (1725-1425) RPM, 48 Frame, TEFC				.25 HP, Current: DC, (24) Volt, 1750 RPM, 48 Frame, TEFC		
2. Motor	306-1018		Stock:	3. Gasket Kit(EACH)			Stock:
	.25HP, Single Phase, (60/50) HZ, (115/230-90/190) Volt, 1725-1425 RPM, 48 Frame, TEFC			4. Left Manifold			:
2. Motor	306-1072		Stock:	5. Right Manifold.....			:
	.25 HP, Three Phase, (60/50) HZ, 575 Volt, 1725-1425 RPM, 48 Frame, TEFC			6. Fan (EACH).....	307-0030.....		Stock:
2. Motor	306-2002		Stock:	7. Fan Guard (EACH)..	308-0003.....		Stock:
	.25 HP, Three Phase, 60 HZ, (208-230/460) Volt, 1725 RPM, 48 Frame, Explosion Proof Motor			8. Air Shield(UPPER)...	115-1624.....		Stock:
2. Motor	306-2001		Stock:	9. Air Shield(LOWER) ..	115-1645.....		Stock:
	.25 HP, Single Phase, 60 HZ, (115/230) Volt, 1725 RPM, 48 Frame, Explosion Proof Motor			10. Motor Bracket	115-1613.....		Stock:
				11. Screen	115-1631.....		Stock
				12. Foot Mtg(LEFT)	115-1733.....		Stock:
				13. Foot Mtg(RIGHT)...	115-1734.....		Stock:
				14. Back Panel(LEFT)	115-1632.....		Stock:
				15. Back Panel(RIGHT)	115-1633.....		Stock: