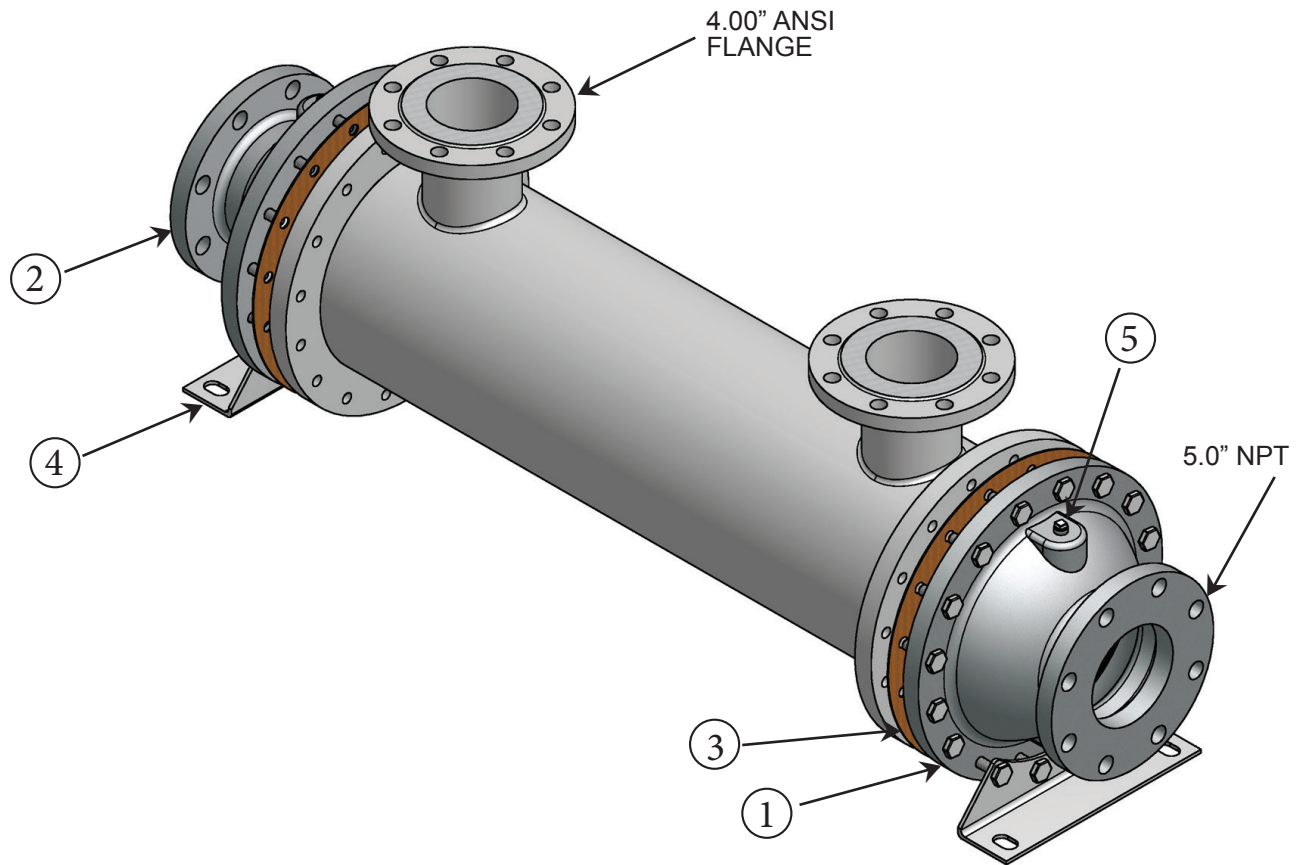


# CS-2000-SP Parts List



<u>Item</u>	<u>Description</u>	<u>Material</u>	<u>Part Number</u>	<u>Price Each</u>	<u>Stock</u>
1.	End Bonnet / In-Out	Cast Iron	208-0002		Yes
2.	End Bonnet / In-Out	Cast Iron	208-0002		Yes
1.	End Bonnet / In-Out	Cast Bronze	208-0007		Yes
2.	End Bonnet / In-Out	Cast Bronze	208-0007		Yes
1.	End Bonnet / In-Out	Cast Stainless Steel	208-0021		Yes
2.	End Bonnet / In-Out	Cast Stainless Steel	208-0021		Yes
3.	Gasket / Front-Back	Hypalon (CORK COMPOSITE)	302-1016		Yes
3.	Gasket / Front-Back	High Temp.(DURLON 8500)	302-1077		Yes
4.	Foot Bracket	Steel	208-0013		Yes
5.	Zinc Anode	Brass Fitting, Zinc Rod	301-0003		Yes

