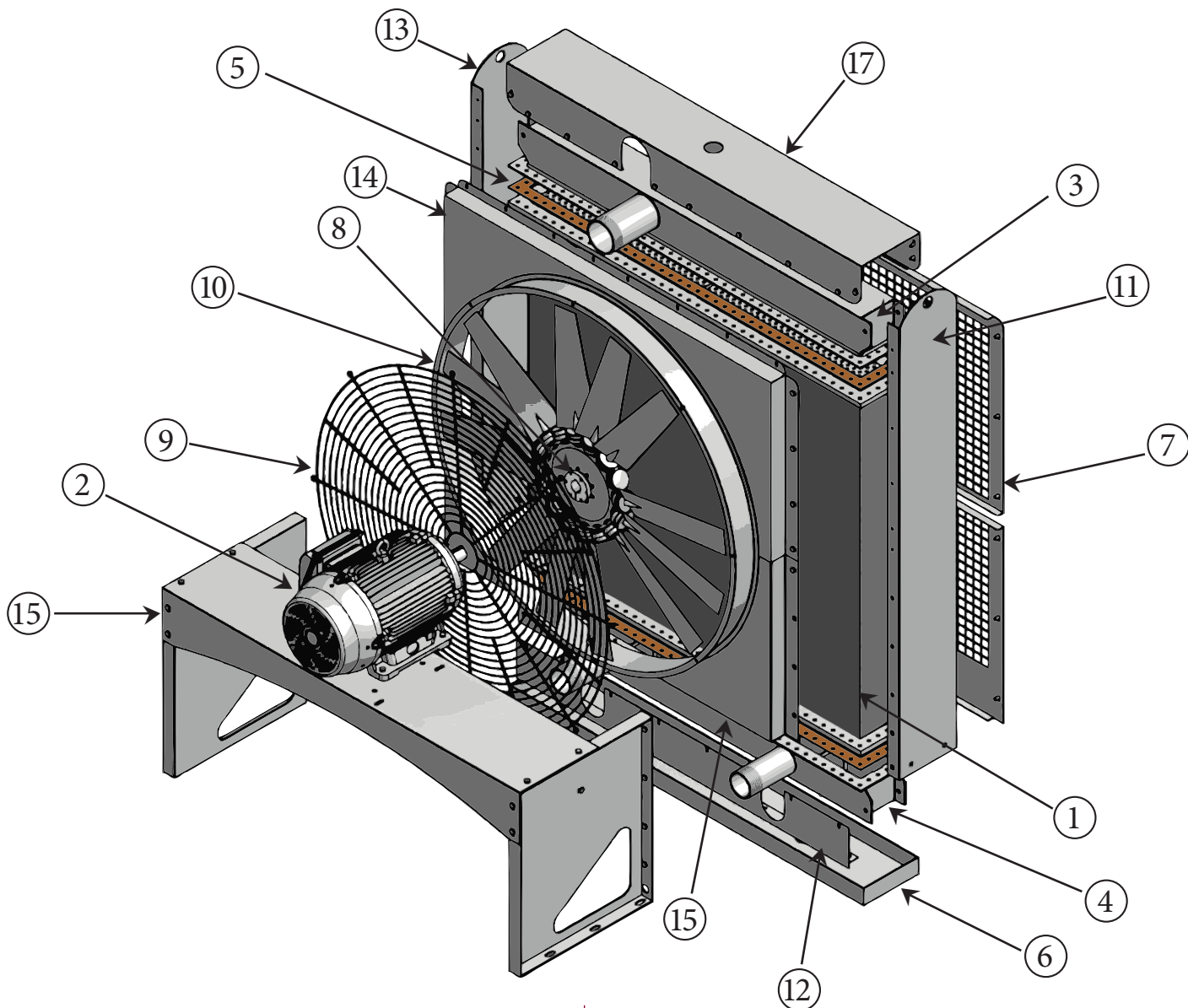


# AOCS-1005 Parts List



| Description   | Part#          | Price | Stock  | Description                 | Part#          | Price | Stock  |
|---|----------------|-------|--------|-----------------------------|----------------|-------|--------|
| 1. Core.....  | 110-5001.....  |       | Stock: | 3. Top Tank(1 PIPE).....    | 110-5077.....  |       | Stock: |
| 2. Motor .....  | 306-1028 ..... |       | Stock: | 4. Bottom Tank(2 PIPE)..... | 110-5078.....  |       | Stock: |
| 5HP, Three Phase, 60/50 HZ, (230/460-190/380) Volt,<br>1200 RPM, 215T Frame, TEFC     |                |       |        | 5. Gasket Kit.....          | 199-0037 ..... |       | Stock: |
| 2. Motor .....  | 306-2019 ..... |       | Stock: | 6. Bottom Panel.....        | 110-5004.....  |       | Stock: |
| 5HP, Three Phase, 60 HZ, 575 Volt, 1160 RPM,<br>215T Frame, TEFC                      |                |       |        | 7. Front Screen.....        | 110-5005.....  |       | Stock: |
| 2. Motor .....  | 306-2021 ..... |       | Stock: | 8. Fan Bushing .....        | 312-1032 ..... |       | Stock: |
| 5HP, Three Phase, 60 HZ, 230/460 Volt, 1160 RPM,<br>215T Frame, Explosion Proof Motor |                |       |        | 9. Fan Guard .....          | 308-0009 ..... |       | Stock: |
|   |                |       |        | 10. Fan .....               | 307-0066 ..... |       | Stock: |
|   |                |       |        | 11. Side Panel(RIGHT).....  | 110-5018.....  |       | Stock: |
|   |                |       |        | 12. Comp Panel.....         | 110-5029.....  |       | Stock: |
|   |                |       |        | 13. Side Panel(LEFT) ...    | 110-5002.....  |       | Stock: |
|   |                |       |        | 14. Back Panel(UPPER).....  | 110-5007.....  |       | Stock: |
|   |                |       |        | 15. Motor Bracket .....     | 110-5021.....  |       | Stock: |
|   |                |       |        | 16. Top Panel.....          | 110-5003.....  |       | Stock: |