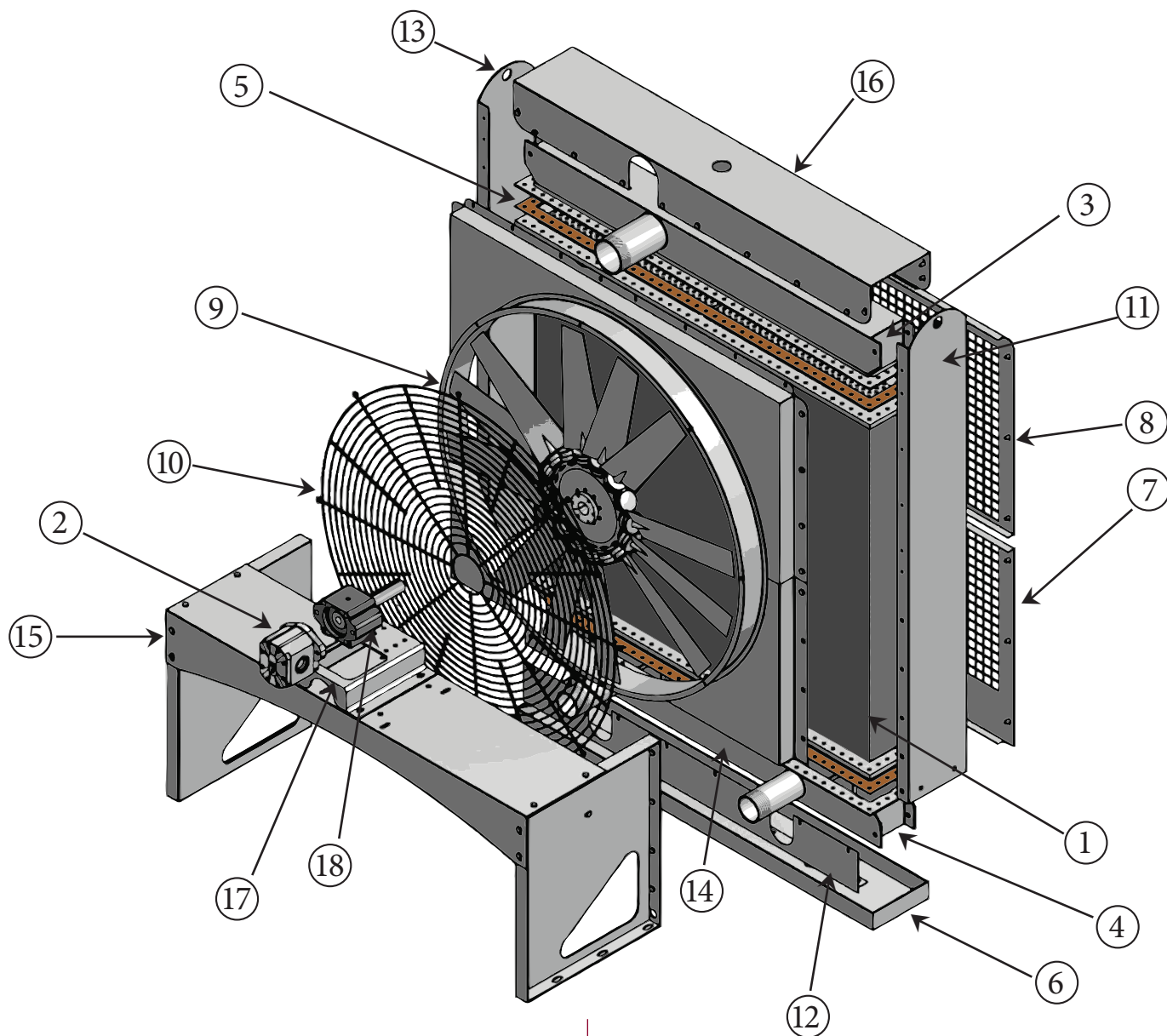


AOCS-1505-9 Parts List



Description	Part#	Price	Stock	Description	Part#	Price	Stock
1. Core.....	110-6001.....	Stock:	11. Side Panel (Right)...	110-6018.....	Stock:
2. Motor	306-3003	Stock:	12. Comp Panel.....	110-6038.....	Stock:
3. Top Tank(1 PIPE).....	110-6087.....	Stock:	13. Side Panel(LEFT) ...	110-6002.....	Stock:
4. Bottom Tank(2 PIPE)..	110-6090.....	Stock:	14. Back Panel	110-6007.....	Stock:
5. Gasket Kit(EACH)	199-0050	Stock:	15. Motor Bracket	110-6092.....	Stock:
6. Bottom Panel	110-6004.....	Stock:	16. Top Cover	110-6003.....	Stock:
7. Lower Screen	110-6117.....	Stock:	17. Plate Adapter.....	110-5022.....	Stock:
8. Upper Screen	110-5005.....	Stock:	18. Overhung Load Adapter	304-1045	Stock:
9. Fan Guard	308-0010	Stock:				
10. Fan	307-0067	Stock:				