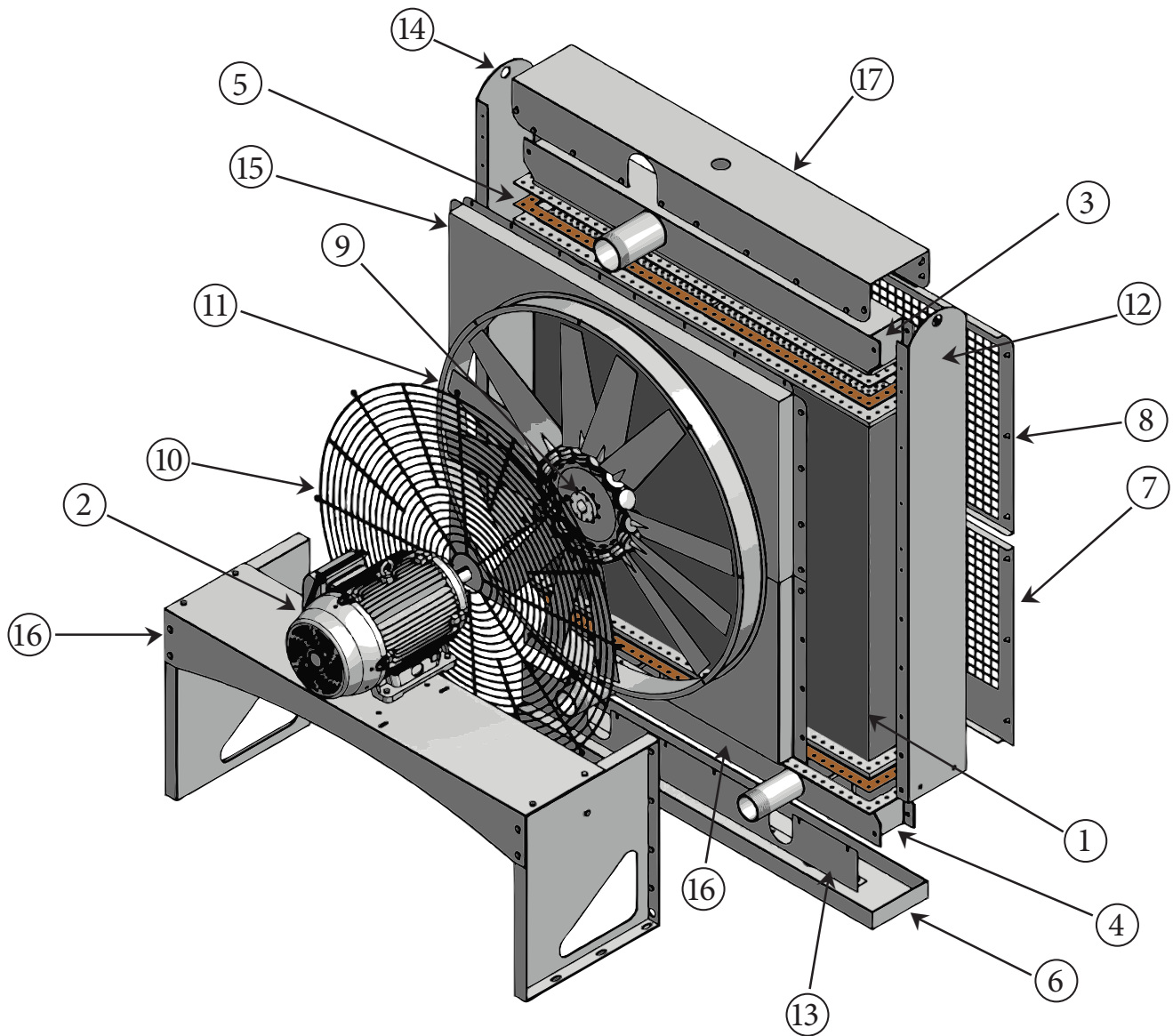


AOCS-2010

Parts List



Description	Part#	Price	Stock	Description	Part#	Price	Stock
1. Core.....	110-7165.....	 Stock:	3. Top Tank(1 PIPE).....	110-7149.....	 Stock:
2. Motor	306-1038 Stock:	4. Bottom Tank(2 PIPE).....	110-7150.....	 Stock:
	10 HP, Three Phase, (60/50) HZ, (230/460-190/380) Volt, 1160/980 RPM, 256T Frame, TEFC			5. Gasket Kit.....	199-0053 Stock:
2. Motor	306-1061 Stock:	6. Bottom Panel.....	110-7170.....	 Stock:
	10 HP, Three Phase, 60 HZ, 575 Volt, 1160 RPM, 256T Frame, TEFC			7. Lower Screen	110-7179.....	 Stock:
2. Motor	306-2022 Stock:	8. Upper Screen	110-7005.....	 Stock:
	10 HP, Three Phase, 60 HZ, (230/460) Volt, 1160 RPM, 256T Frame, Explosion Proof Motor			9. Fan Bushing	312-1033 Stock:
				10. Fan Guard	308-0011.....	 Stock:
				11. Fan.....	307-0076 Stock:
				12. Side Panel(RIGHT).....	110-7171.....	 Stock:
				13. Comp Panel.....	110-7065.....	 Stock:
				14. Side Panel(LEFT)	110-7172.....	 Stock:
				15. Back Panel(UPPER).....	110-7007.....	 Stock:
				16. Motor Bracket	110-7021.....	 Stock:
				17. Top Cover	110-7169.....	 Stock: