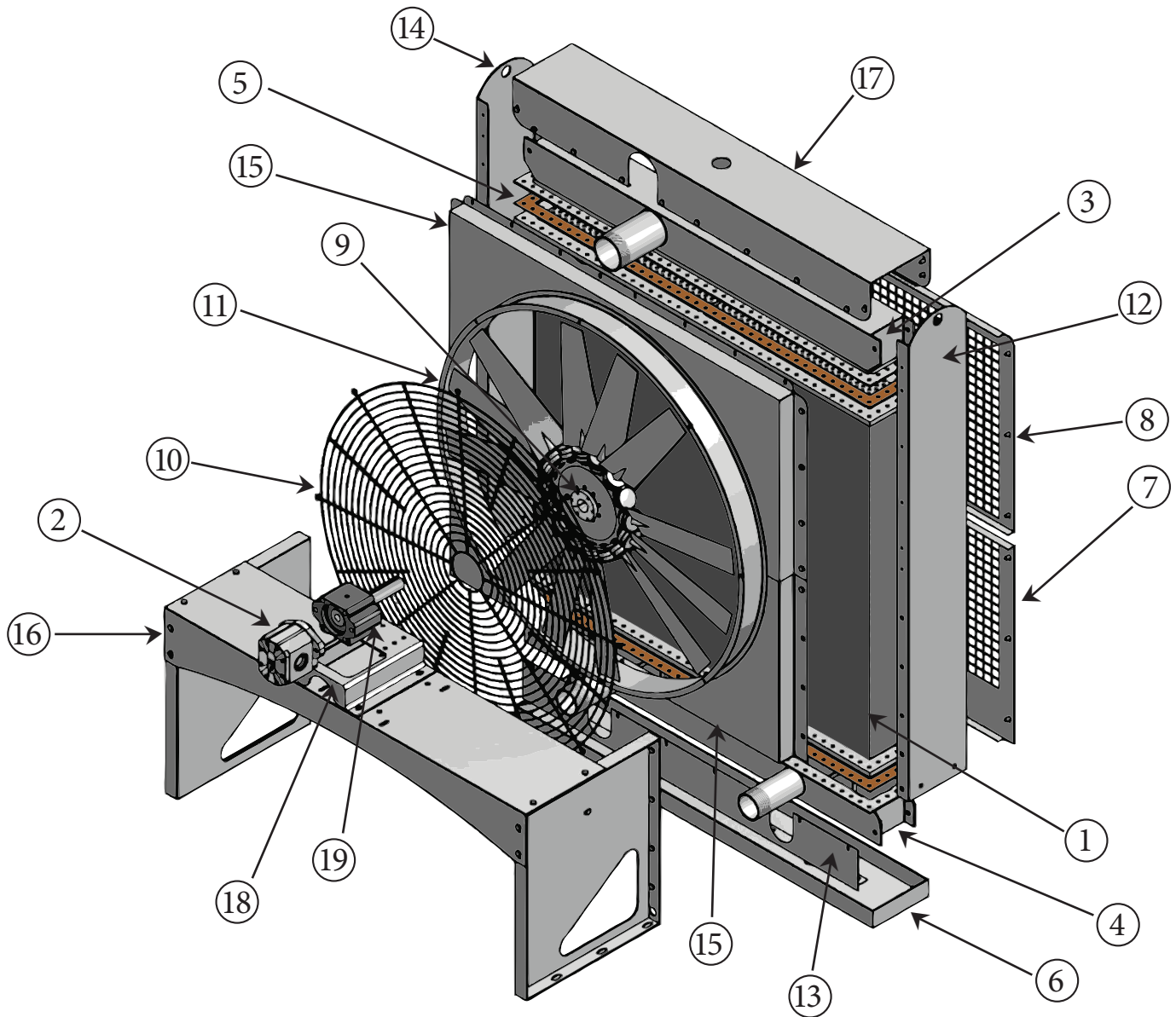


# AOCS-2010-9 Parts List



Description	Part#	Price	Stock	Description	Part#	Price	Stock
1. Core.....	110-7165.....		Stock:	11. Fan.....	307-0076 .....		Stock:
2. Hydraulic Motor ....	306-3004 .....		Stock:	12. Side Panel(RIGHT)...	110-7171.....		Stock:
3. Top Tank(1 PIPE).....	110-7149.....		Stock:	13. Comp Panel.....	110-7065.....		Stock:
4. Bottom Tank(2 PIPE) .	110-7150.....		Stock:	14. Side Panel(LEFT) ...	110-7172.....		Stock:
5. Gasket Kit.....	199-0053 .....		Stock:	15. Back Panel(LOWER)110-7007 .....			Stock:
6. Bottom Panel.....	110-7170.....		Stock:	16. Motor Bracket .....	110-7021.....		Stock:
7. Lower Screen .....	110-7179.....		Stock:	17. Top Cover .....	110-7169.....		Stock:
8. Upper Screen .....	110-7005.....		Stock:	18. Plate Adapter .....	110-7069.....		Stock:
9. Fan Bushing .....	312-1033 .....		Stock:	19. Overhung Load Adaptor .....	304-1046 .....		Stock:
10. Fan Guard .....	308-0011.....		Stock:				