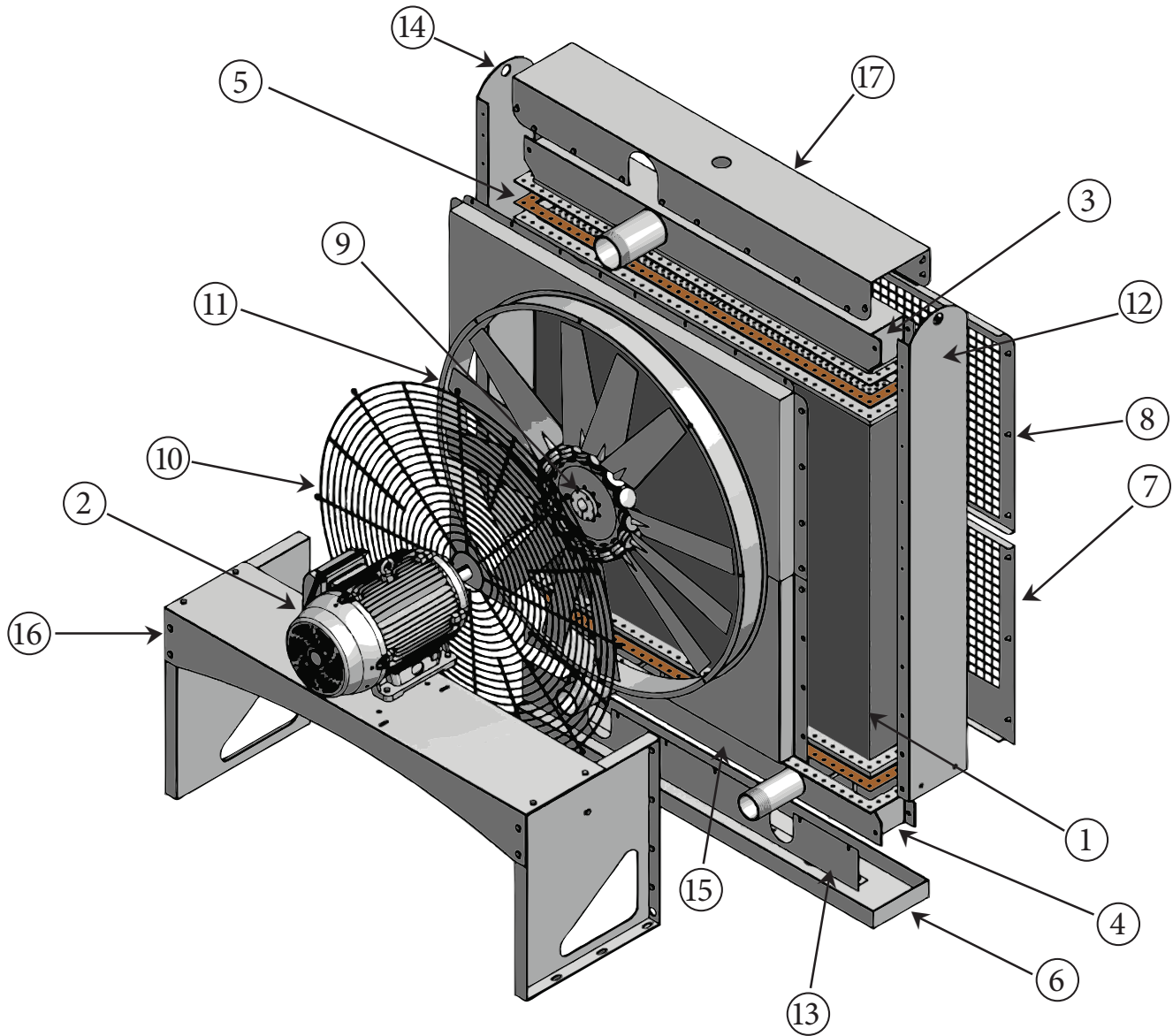


AOCS-2515 Parts List



Description	Part#	Price	Stock	Description	Part#	Price	Stock
1. Core.....	110-7253.....		Stock:	3. Top Tank(1 PIPE).....	110-7266.....		Stock:
2. Motor	306-1077 ...		Stock:	4. Bottom Tank(2 PIPE) .	110-7267.....		Stock:
	15 HP, Three Phase, (60/50) HZ, (230/460-190/380) Volt, 1160/980 RPM, 284T Frame, TEFC			5. Gasket Kit.....	199-0063		Stock:
2. Motor	306-1170.....		Stock:	6. Bottom Panel.....	110-7254.....		Stock:
	15 HP, Three Phase, 60 HZ, 575 Volt, 1160 RPM, 284T Frame, TEFC			7. Lower Screen	110-7261.....		Stock:
2. Motor	306-2052		Stock:	8. Upper Screen	110-7260.....		Stock:
	15 HP, Three Phase, 60 HZ, (230/460) Volt, 1160 RPM, 284T Frame, Explosion Proof Motor			9. Fan Bushing	312-1034		Stock:
				10. Fan Guard	308-0026		Stock:
				11. Fan.....	307-0114.....		Stock:
				12. Side Panel(RIGHT)..	110-7255.....		Stock:
				13. Comp Panel.....	110-7259.....		Stock:
				14. Side Panel(LEFT) ...	110-7256.....		Stock:
				15. Back Panel(UPPER)	110-7282.....		Stock:
				16. Motor Bracket	110-7251.....		Stock:
				17. Top Cover	110-7250.....		Stock: