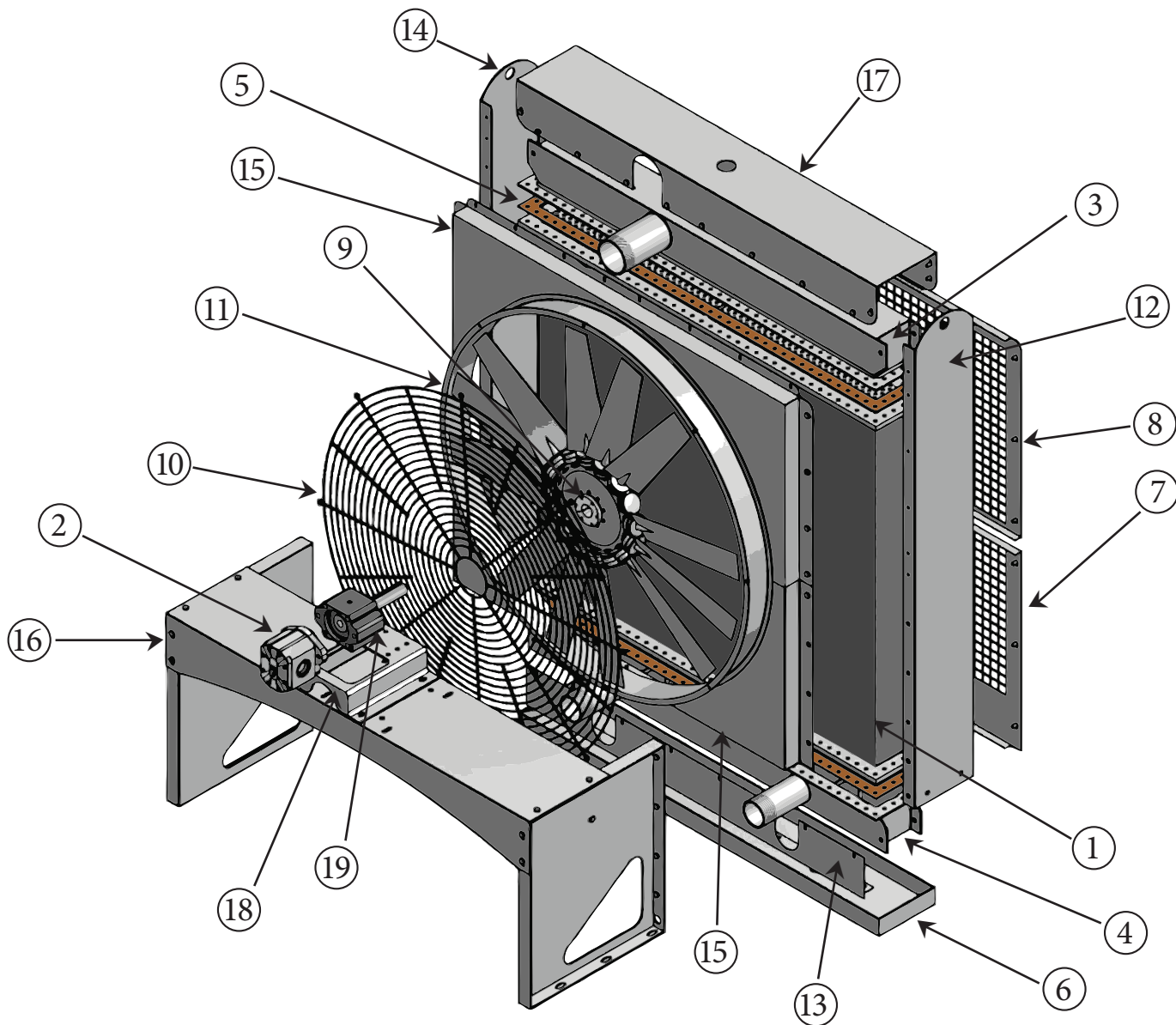


# AOCS-2515-9 Parts List



Description	Part#	Price	Stock	Description	Part#	Price	Stock
1. Core.....	110-7253.....		..... Stock:	11. Fan.....	307-0114.....		..... Stock:
2. Motor .....	306-3005 .....		..... Stock:	12. Side Panel .....	110-7255.....		..... Stock:
3. Top Tank(1 PIPE).....	110-7266.....		..... Stock:	13. Cover Panel.....	110-7259.....		..... Stock:
4. Bottom Tank(2 PIPE)..	110-7267.....		..... Stock:	14. Side Panel .....	110-7256.....		..... Stock:
5. Gasket Kit(EACH) ....	302-0063 .....		..... Stock:	15. Back Panel .....	110-7282.....		..... Stock:
6. Bottom Panel.....	110-7254.....		..... Stock:	16. Motor Bracket .....	110-7251.....		..... Stock:
7. Lower Screen .....	110-7261.....		..... Stock:	17. Top Cover .....	110-7250.....		..... Stock:
8. Upper Screen .....	110-7260.....		..... Stock:	18. Plate Adapter .....	110-8031.....		..... Stock:
9. Fan Bushing .....	312-1034 .....		..... Stock:	19. Overhung Load Adaptor .....	304-1047 .....		..... Stock:
10. Fan Guard .....	308-0026 .....		..... Stock:				