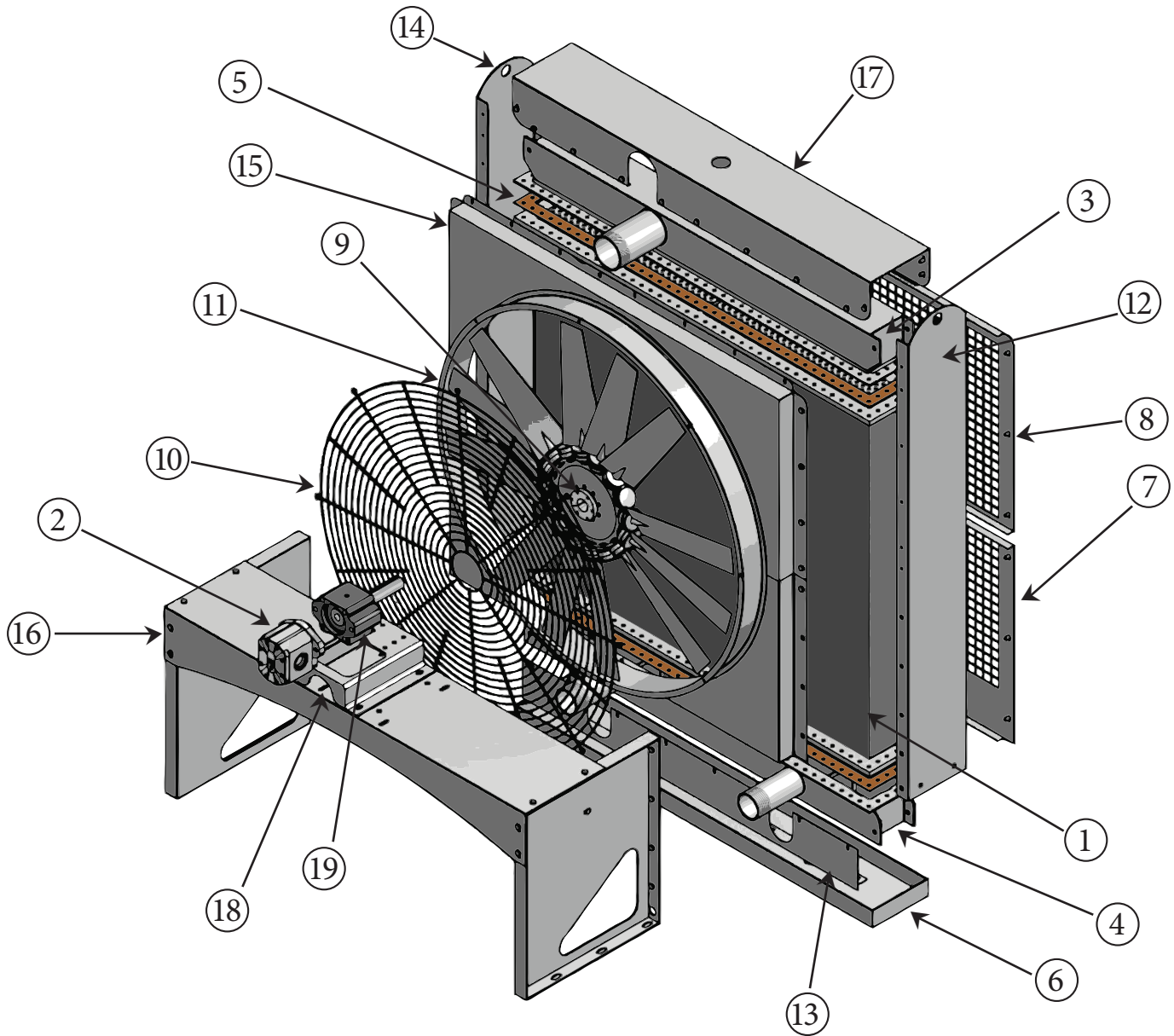


# AOCS-3120-9 Parts List



Description	Part#	Price	Stock	Description	Part#	Price	Stock
1. Core.....	110-8130.....		..... Stock:	11. Fan.....	307-0113.....		..... Stock:
2. Motor .....	306-3005 .....		..... Stock:	12. Side Panel .....	110-8141.....		..... Stock:
3. Top Tank(1 PIPE).....	110-8132.....		..... Stock:	13. Cover Panel.....	110-8147.....		..... Stock:
4. Bottom Tank(2 PIPE)..	110-8133.....		..... Stock:	14. Side Panel .....	110-8142.....		..... Stock:
5. Gasket Kit(EACH) ....	199-0104 .....		..... Stock:	15. Back Panel .....	110-8151.....		..... Stock:
6. Bottom Panel .....	110-8140.....		..... Stock:	16. Motor Bracket .....	110-8158.....		..... Stock:
7. Lower Screen .....	110-8146.....		..... Stock:	17. Top Cover .....	110-8139.....		..... Stock:
8. Upper Screen .....	110-8145.....		..... Stock:	18. Plate Adaptor .....			..... Stock:
9. Fan Bushing .....	312-1037 .....		..... Stock:	19. Over Hung Load Adaptor .....	304-1101.....		..... Stock:
10. Fan Guard .....	308-0012 .....		..... Stock:				