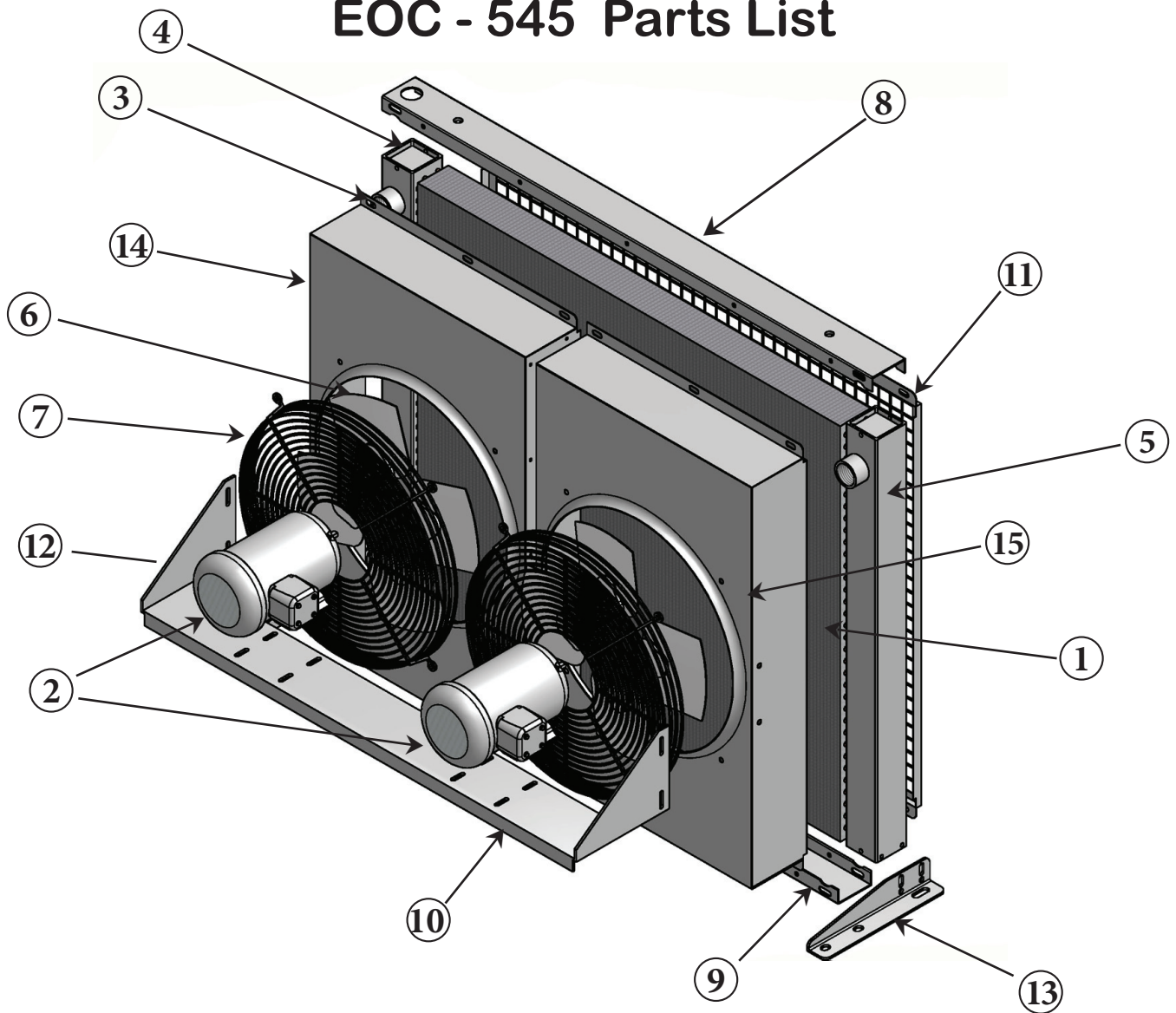


EOC - 545 Parts List



Description	Part#	Price	Stock	Description	Part#	Price Each	Stock
1. Core(1 PASS)	CLICK HERE		Stock:	2. Motor	306-1083 Stock:
1. Core(2 PASS)	CLICK HERE		Stock:		.25 HP, Current: DC, (12) Volt, 1750 RPM, 48 Frame, TENV		
2. Motor	306-1002		Stock:	2. Motor	306-1084 Stock:
	.25 HP, Three Phase, (60/50) HZ, (230/460-190/380) Volt, (1725-1425) RPM, 48 Frame, TEFC				.25 HP, Current: DC, (24) Volt, 1750 RPM, 48 Frame, TEFC		
2. Motor	306-1018		Stock:	3. Gasket Kit(EACH) Stock:
	.25HP, Single Phase, (60/50) HZ, (115/230-90/190) Volt, 1725-1425 RPM, 48 Frame, TEFC			4. Left Manifold :
2. Motor	306-1072		Stock:	5. Right Manifold.....		 :
	.25 HP, Three Phase, (60/50) HZ, 575 Volt, 1725-1425 RPM, 48 Frame, TEFC			6. Fan (EACH).....	307-0030.....	 Stock:
2. Motor	306-2002		Stock:	7. Fan Guard (EACH)..	308-0003.....	 Stock:
	.25 HP, Three Phase, 60 HZ, (208-230/460) Volt, 1725 RPM, 48 Frame, Explosion Proof Motor			8. Air Shield (Top).....	115-1717.....	 Stock:
2. Motor	306-2001		Stock:	9. Air Shield (Bottom)...	115-1740.....	 Stock:
	.25 HP, Single Phase, 60 HZ, (115/230) Volt, 1725 RPM, 48 Frame, Explosion Proof Motor			10. Motor Bracket	115-1713.....	 Stock:
				11. Screen	115-1718.....	 Stock
				12. Foot Mtg(LEFT)	117-1733.....	 Stock:
				13. Foot Mtg(RIGHT)...	117-1734.....	 Stock:
				14. Back Panel(LEFT)	115-1719.....	 Stock:
				15. Back Panel(RIGHT)	115-1735 Stock: