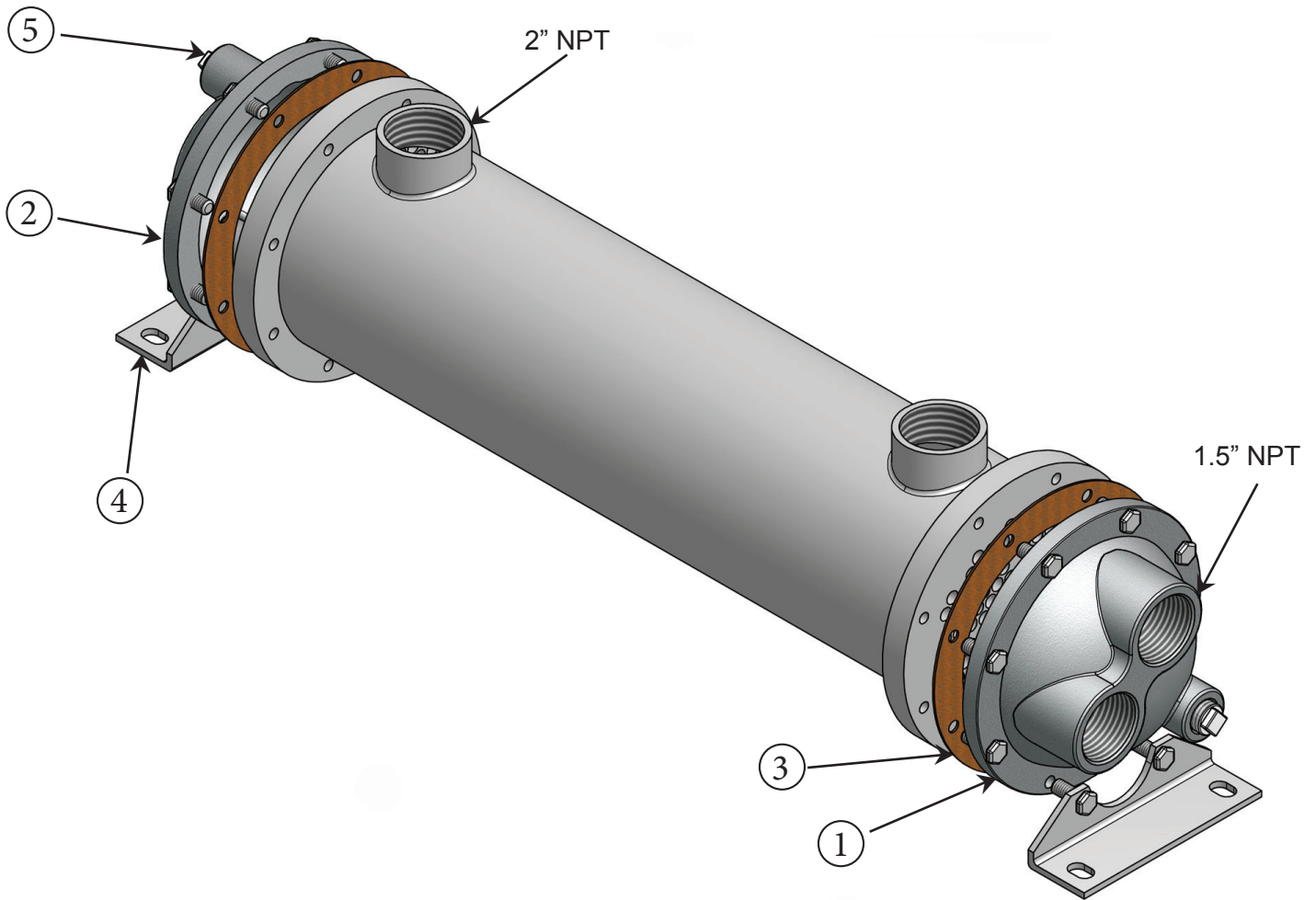


# CS-1248-FP Parts List



| <u>Item</u> | <u>Description</u>  | <u>Material</u>          | <u>Part Number</u> | <u>Stock</u> |
|-------------|---------------------|--------------------------|--------------------|--------------|
| 1.          | End Bonnet / In-Out | Cast Iron                | 204-0005           | Yes          |
| 2.          | End Bonnet / Return | Cast Iron                | 204-0006           | Yes          |
| 1.          | End Bonnet / In-Out | Cast Bronze              | 204-0031           | Yes          |
| 2.          | End Bonnet / Return | Cast Bronze              | 204-0032           | Yes          |
| 1.          | End Bonnet / In-Out | Stainless Steel          | 204-0074           | Yes          |
| 2.          | End Bonnet / Return | Stainless Steel          | 204-0075           | Yes          |
| 3.          | Gasket / Front-Back | Hypalon (CORK COMPOSITE) | 302-1004           | Yes          |
| 3.          | Gasket / Front-Back | High Temp.(DURLON 8500)  | 302-1014           | Yes          |
| 4.          | Foot Bracket        | Steel                    | 204-0245           | Yes          |
| 5.          | Zinc Anode          | Brass Fitting, Zinc Rod  | 301-0003           | Yes          |

