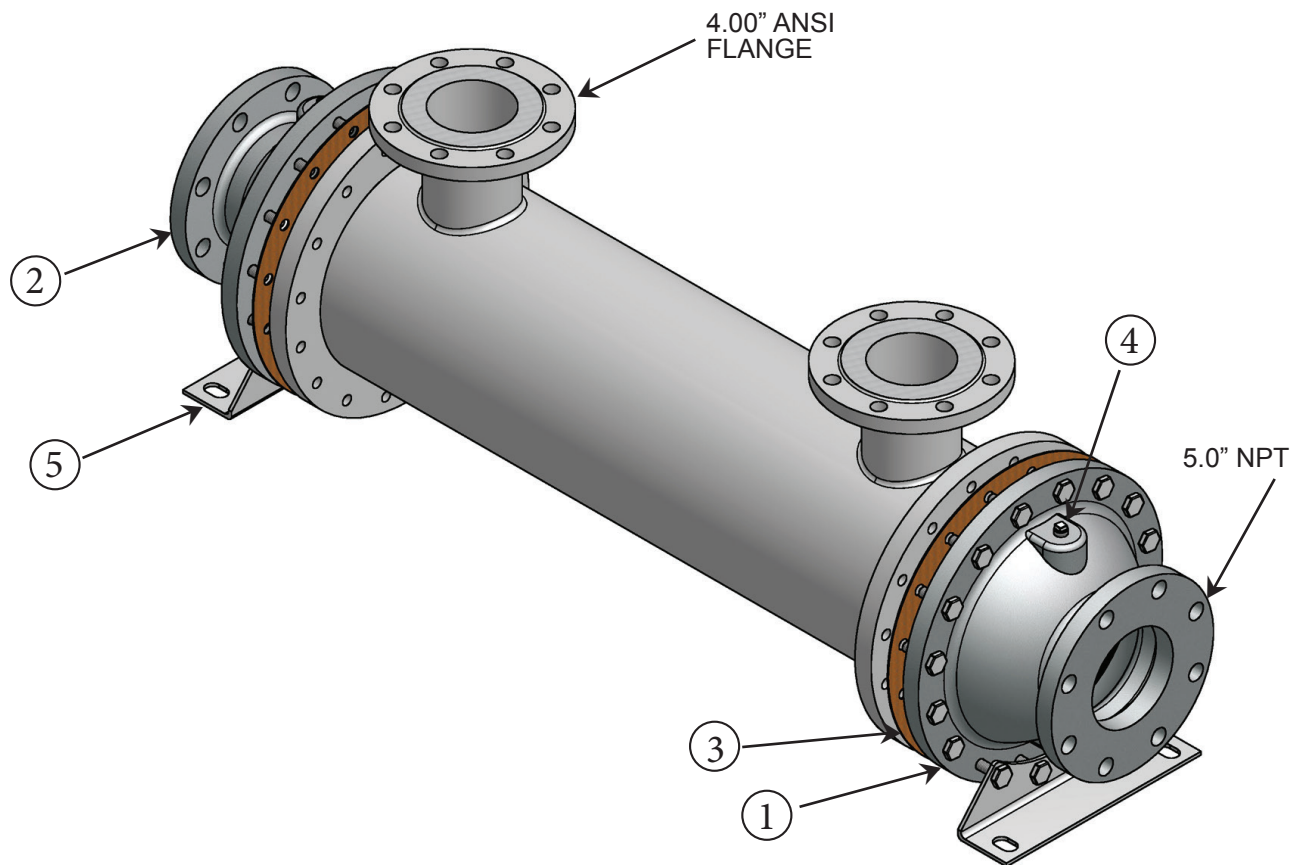


CS-2072-SP Parts List



<u>Item</u>	<u>Description</u>	<u>Material</u>	<u>Part Number</u>	<u>Price Each</u>	<u>Stock</u>
1.	End Bonnet / In-Out	Cast Iron	208-0002		Yes
2.	End Bonnet / In-Out	Cast Iron	208-0002		Yes
1.	End Bonnet / In-Out	Cast Bronze	208-0007		Yes
2.	End Bonnet / In-Out	Cast Bronze	208-0007		Yes
1.	End Bonnet / In-Out	Stainless Steel	208-0021		Yes
2.	End Bonnet / In-Out	Stainless Steel	208-0021		Yes
3.	Gasket / Front-Back	Hypalon	302-1016		Yes
3.	Gasket / Front-Back	High Temperature	302-1013		Yes
4.	0.50" NPT Thread, 1.75" by 0.63"	Zinc Anode	301-0003		Yes
5.	Foot Bracket	Steel	208-0013		Yes