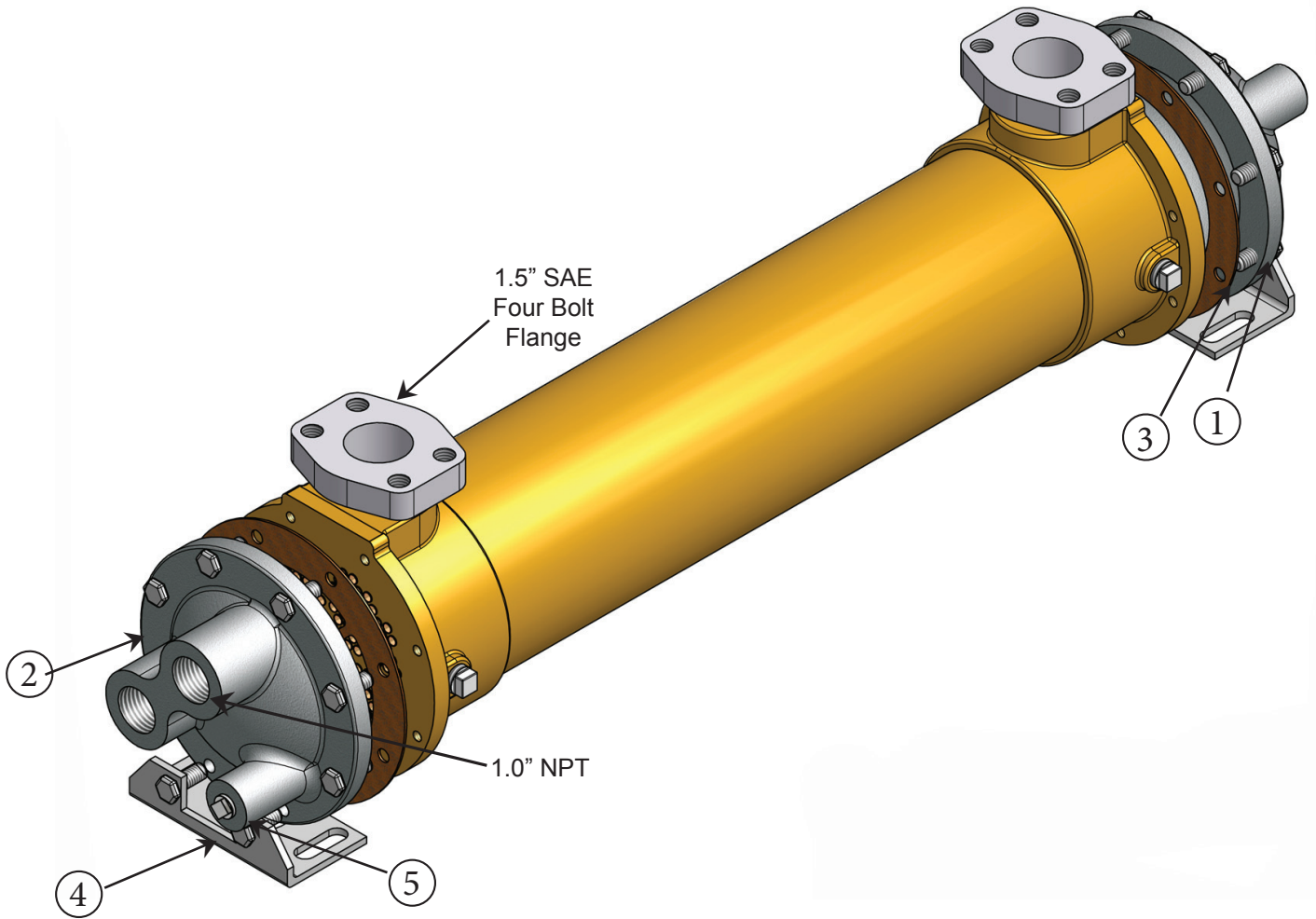


# FBF-1048-FP Parts List



| <u>Item</u> | <u>Description</u>  | <u>Material</u>          | <u>Part Number</u> | <u>Stock</u> |
|-------------|---------------------|--------------------------|--------------------|--------------|
| 1.          | End Bonnet / In-Out | Cast Iron                | 203-0005           | Yes          |
| 2.          | End Bonnet / Return | Cast Iron                | 203-0006           | Yes          |
| 1.          | End Bonnet / In-Out | Cast Bronze              | 203-0019           | Yes          |
| 2.          | End Bonnet / Return | Cast Bronze              | 203-0020           | Yes          |
| 1.          | End Bonnet / In-Out | Stainless Steel          | 203-0042           | Yes          |
| 2.          | End Bonnet / Return | Stainless Steel          | 203-0043           | Yes          |
| 3.          | Gasket / Front-Back | Hypalon (CORK COMPOSITE) | 302-1003           | Yes          |
| 3.          | Gasket / Front-Back | High Temp.(DURLON 8500)  | 302-1013           | Yes          |
| 4.          | Foot Bracket        | Steel                    | 203-0044           | Yes          |
| 5.          | Zinc Anode          | Brass Fitting, Zinc Rod  | 301-0004           | Yes          |

