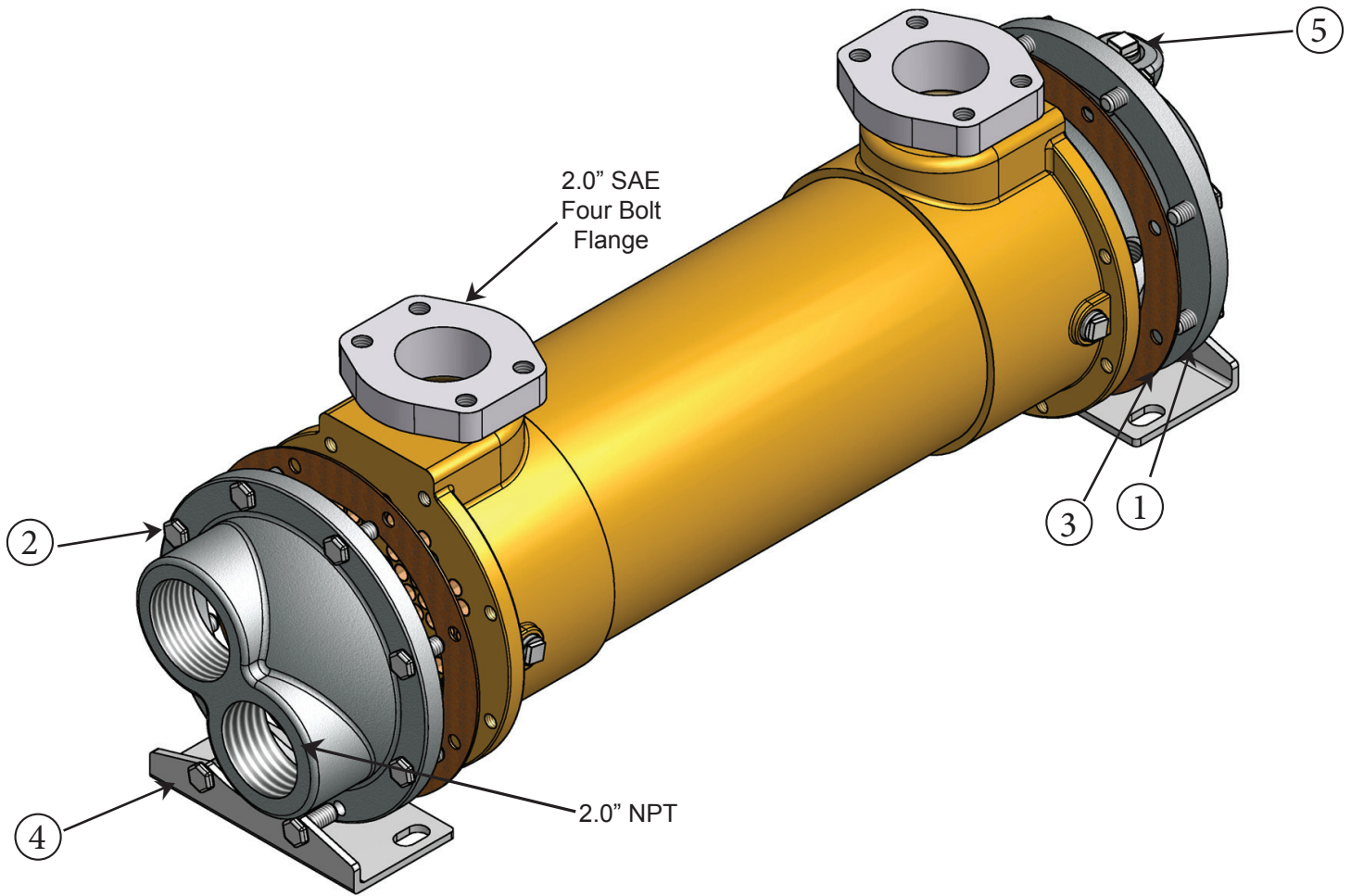


FBF-1224-TP Parts List



| <u>Item</u> | <u>Description</u> | <u>Material</u> | <u>Part Number</u> | <u>Stock</u> |
|-------------|---------------------|--------------------------|--------------------|--------------|
| 1. | End Bonnet / In-Out | Cast Iron | 204-0003 | Yes |
| 2. | End Bonnet / Return | Cast Iron | 204-0004 | Yes |
| 1. | End Bonnet / In-Out | Cast Bronze | 204-0029 | Yes |
| 2. | End Bonnet / Return | Cast Bronze | 204-0030 | Yes |
| 1. | End Bonnet / In-Out | Stainless Steel | 204-0072 | Yes |
| 2. | End Bonnet / Return | Stainless Steel | 204-0073 | Yes |
| 3. | Gasket / Front-Back | Hypalon (CORK COMPOSITE) | 302-1004 | Yes |
| 3. | Gasket / Front-Back | High Temp.(DURLON 8500) | 302-1014 | Yes |
| 4. | Foot Bracket | Steel | 204-0076 | Yes |
| 5. | Zinc Anode | Brass Fitting, Zinc Rod | 301-0003 | Yes |

