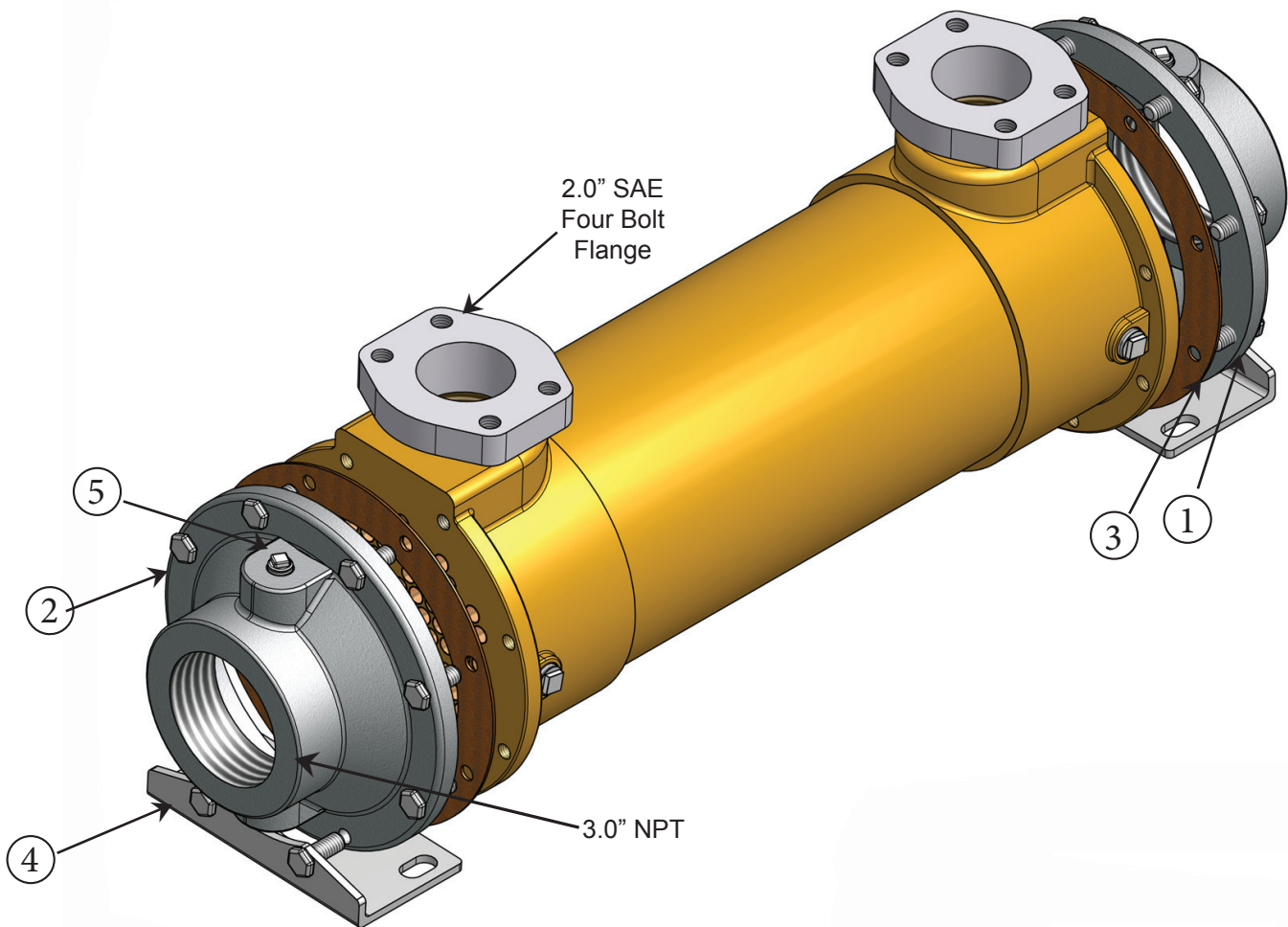


# FBF-1248-SP Parts List



| <u>Item</u> | <u>Description</u>  | <u>Material</u>          | <u>Part Number</u> | <u>Stock</u> |
|-------------|---------------------|--------------------------|--------------------|--------------|
| 1.          | End Bonnet / In-Out | Cast Iron                | 204-0002           | Yes          |
| 2.          | End Bonnet / In-Out | Cast Iron                | 204-0002           | Yes          |
| 1.          | End Bonnet / In-Out | Cast Bronze              | 204-0028           | Yes          |
| 2.          | End Bonnet / In-Out | Cast Bronze              | 204-0028           | Yes          |
| 1.          | End Bonnet / In-Out | Stainless Steel          | 204-0071           | Yes          |
| 2.          | End Bonnet / In-Out | Stainless Steel          | 204-0071           | Yes          |
| 3.          | Gasket / Front-Back | Hypalon (CORK COMPOSITE) | 302-1004           | Yes          |
| 3.          | Gasket / Front-Back | High Temp. (DURLON 8500) | 302-1014           | Yes          |
| 4.          | Foot Bracket        | Steel                    | 204-0076           | Yes          |
| 5.          | Zinc Anode          | Brass Fitting, Zinc Rod  | 301-0003           | Yes          |

