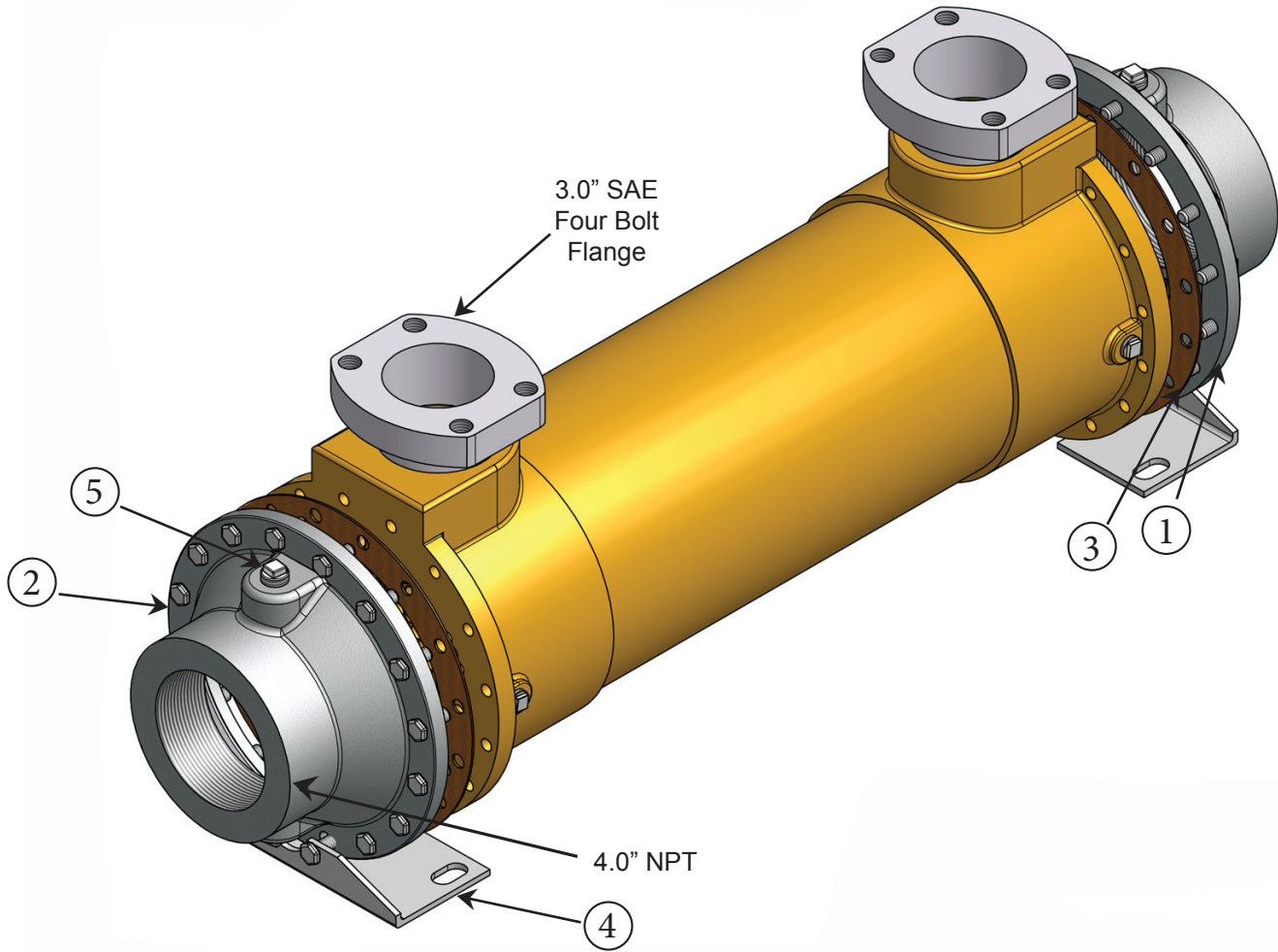


FBF-1672-SP Parts List



| Item | Description | Material | Part Number | Stock |
|------|---------------------|--------------------------|-------------|-------|
| 1. | End Bonnet / In-Out | Cast Iron | 205-0002 | Yes |
| 2. | End Bonnet / In-Out | Cast Iron | 205-0002 | Yes |
| 1. | End Bonnet / In-Out | Cast Bronze | 205-0028 | Yes |
| 2. | End Bonnet / In-Out | Cast Bronze | 205-0028 | Yes |
| 1. | End Bonnet / In-Out | Stainless Steel | 205-0053 | Yes |
| 2. | End Bonnet / In-Out | Stainless Steel | 205-0053 | Yes |
| 3. | Gasket / Front-Back | Hypalon (CORK COMPOSITE) | 302-1005 | Yes |
| 3. | Gasket / Front-Back | High Temp.(DURLON 8500) | 302-1015 | Yes |
| 4. | Foot Bracket | Steel | 205-0058 | Yes |
| 5. | Zinc Anode | Brass Fitting, Zinc Rod | 301-0003 | Yes |

