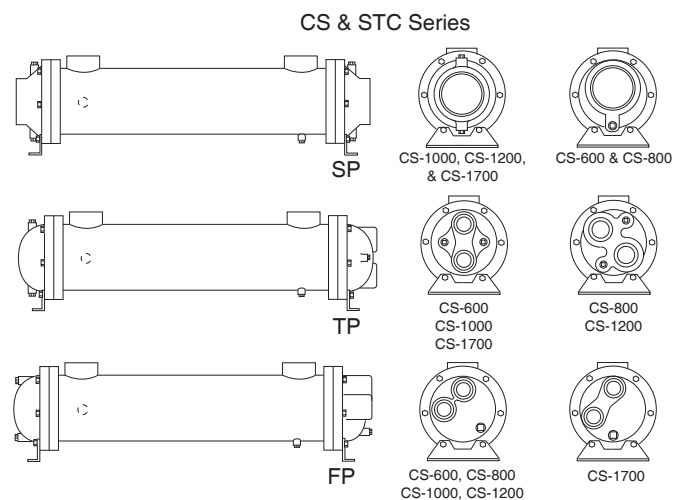
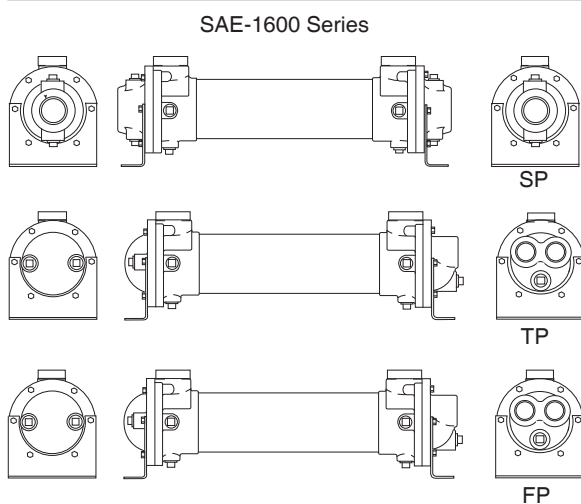
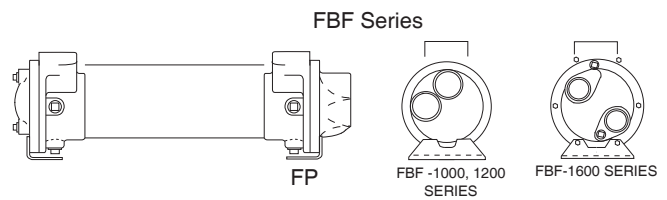
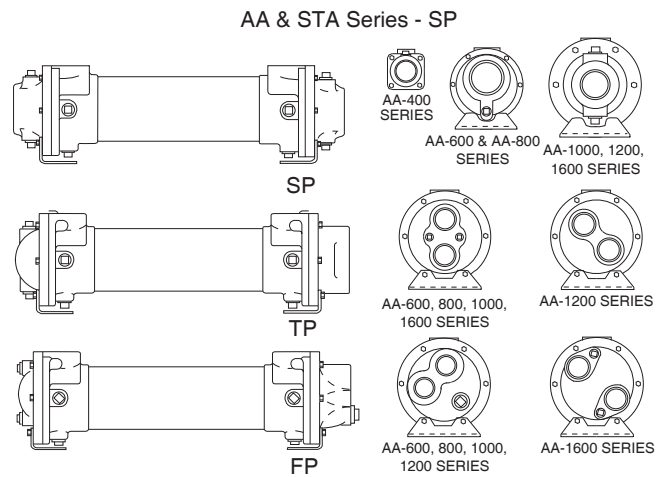
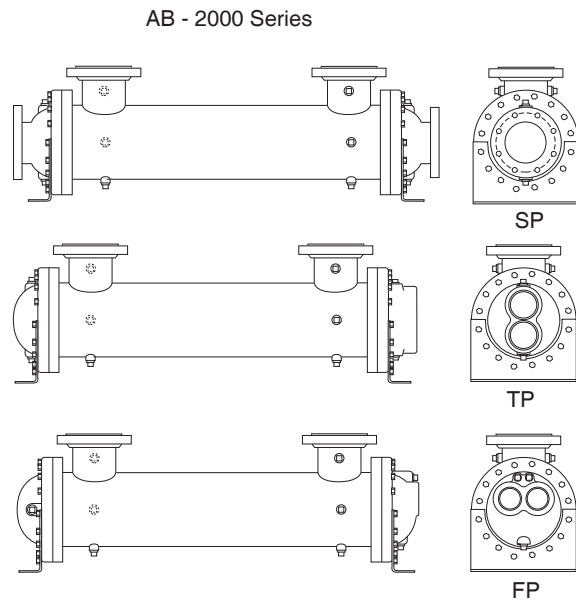
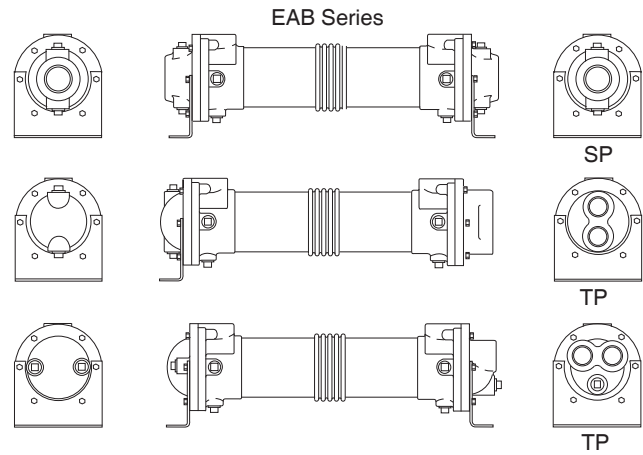
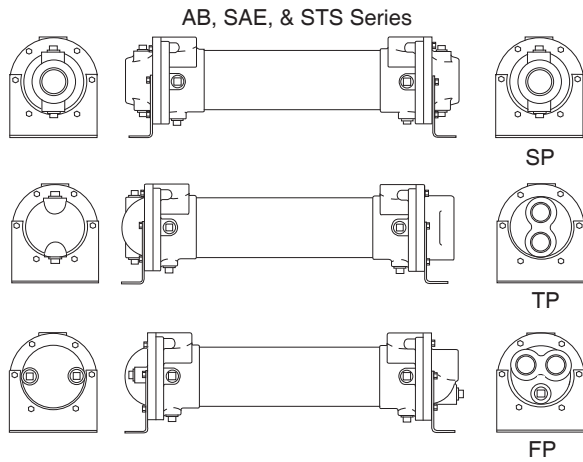


Heat Exchanger Identification Chart

Use the following chart to identify existing heat exchangers without model tags. Below each sketch is the American Industrial equivalent model series. To match dimensional and material specifications see specific matching Series section located within this catalog.



SP = Single Pass,
TP = Two Pass,
FP = Four Pass