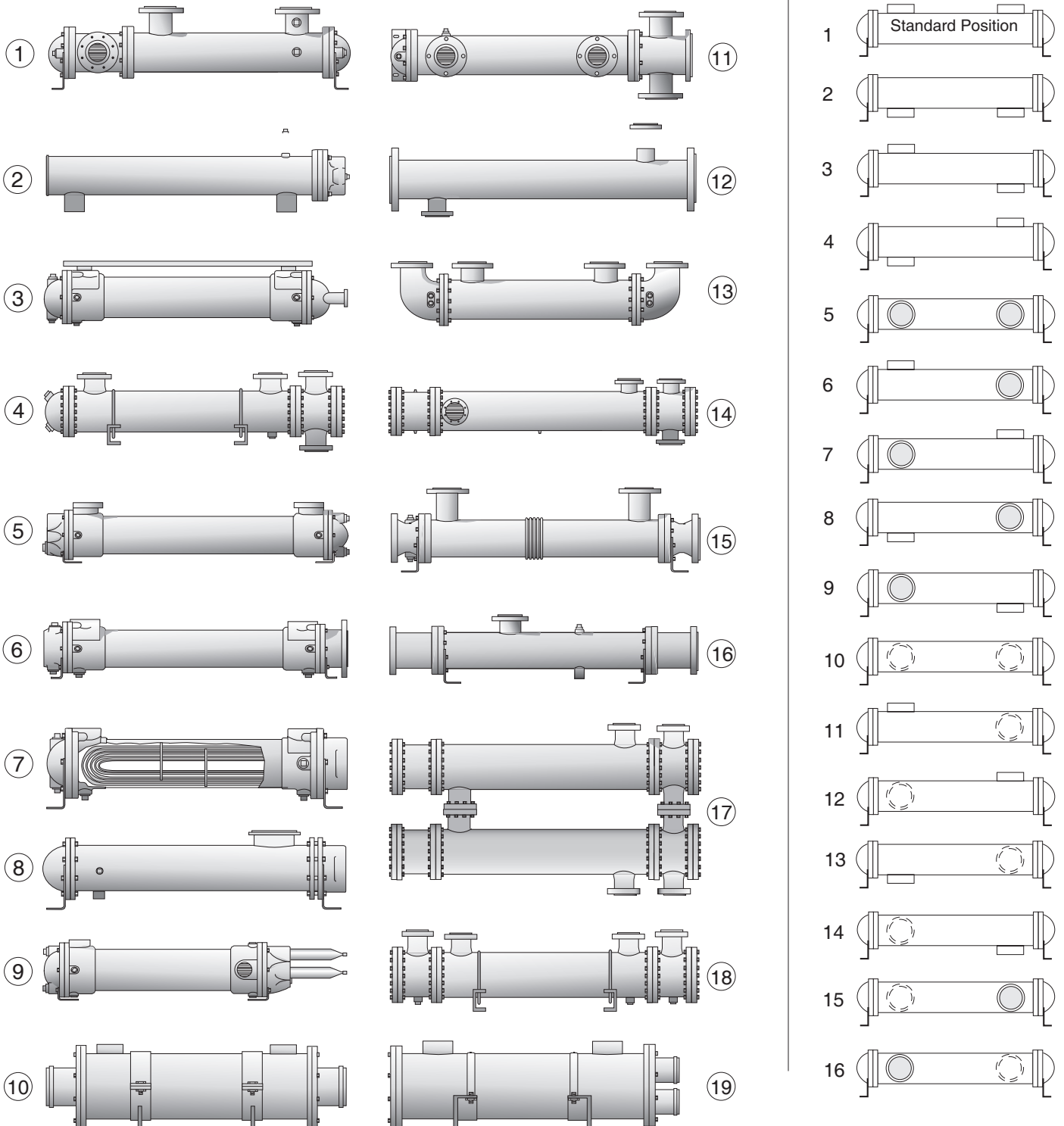


Heat Exchanger Identification Chart

Following are samples of custom heat exchangers that are provided as guidance in identifying models without model codes or labels. If the heat exchanger required does not fit our standard catalog models the following samples can be selected to give American Industrial a starting point to help identify your heat exchanger. Choose the heat exchanger below that best represents the configuration of the existing unit.



note: AIHTI reserves the right to make reasonable design changes without notice.