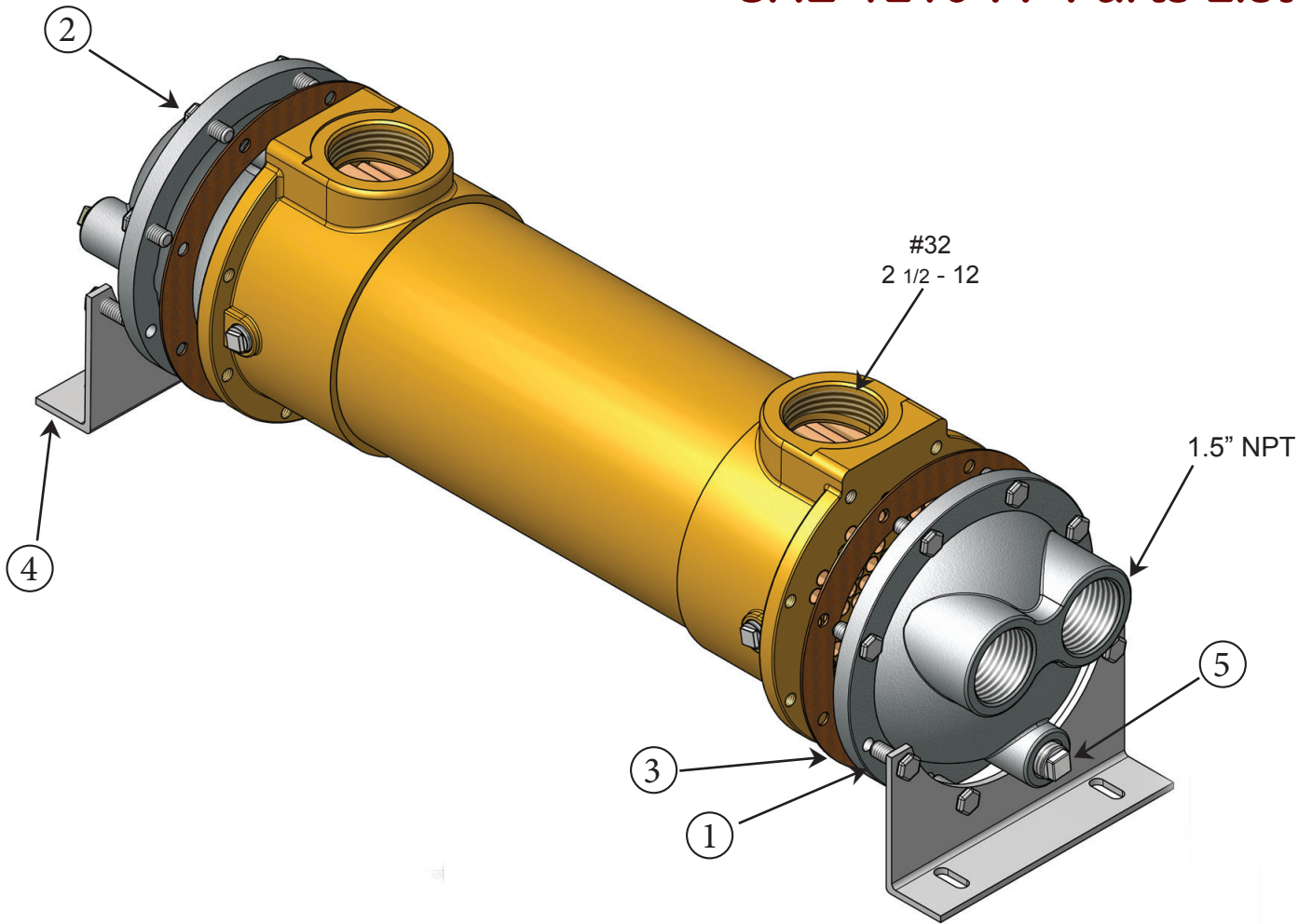


SAE-1210-FP Parts List



| Item | Description | Material | Part Number | Stock |
|------|---------------------|--------------------------|-------------|-------|
| 1. | End Bonnet / In-Out | Cast Iron | 204-0005 | Yes |
| 2. | End Bonnet / Return | Cast Iron | 204-0006 | Yes |
| 1. | End Bonnet / In-Out | Cast Bronze | 204-0031 | Yes |
| 2. | End Bonnet / Return | Cast Bronze | 204-0032 | Yes |
| 1. | End Bonnet / In-Out | Stainless Steel | 204-0074 | Yes |
| 2. | End Bonnet / Return | Stainless Steel | 204-0075 | Yes |
| 3. | Gasket / Front-Back | Hypalon (CORK COMPOSITE) | 302-1004 | Yes |
| 3. | Gasket / Front-Back | High Temp. (DURLON 8500) | 302-1014 | Yes |
| 4. | Foot Bracket | Steel | 204-0007 | Yes |
| 5. | Zinc Anode | Brass Fitting, Zinc Rod | 301-0003 | Yes |

