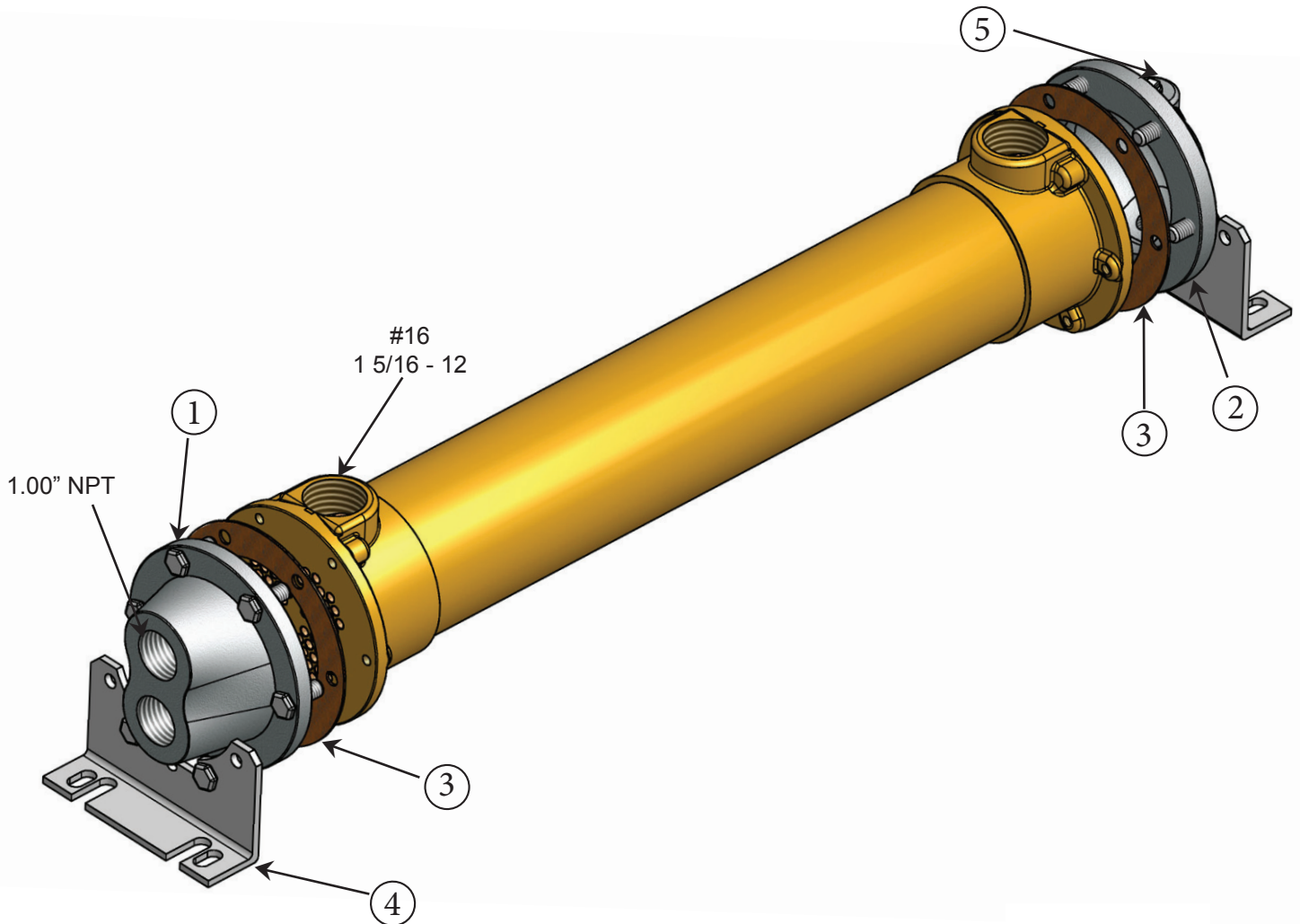


SAE-702-TP Parts List



<u>Item</u>	<u>Description</u>	<u>Material</u>	<u>Part Number</u>	<u>Stock</u>
1.	End Bonnet / In-Out	Cast Iron	202-0003	Yes
2.	End Bonnet / Return	Cast Iron	202-0004	Yes
1.	End Bonnet / In-Out	Cast Bronze	202-0025	Yes
2.	End Bonnet / Return	Cast Bronze	202-0026	Yes
1.	End Bonnet / In-Out	Stainless Steel	202-0035	Yes
2.	End Bonnet / Return	Stainless Steel	202-0036	Yes
3.	Gasket / Front-Back	Hypalon (CORK COMPOSITE)	302-1002	Yes
3.	Gasket / Front-Back	High Temp. (DURLON 8500)	302-1080	Yes
4.	Foot Bracket	Steel	202-0008	Yes
5.	Zinc Anode	Brass Fitting, Zinc Rod	301-0004	Yes

